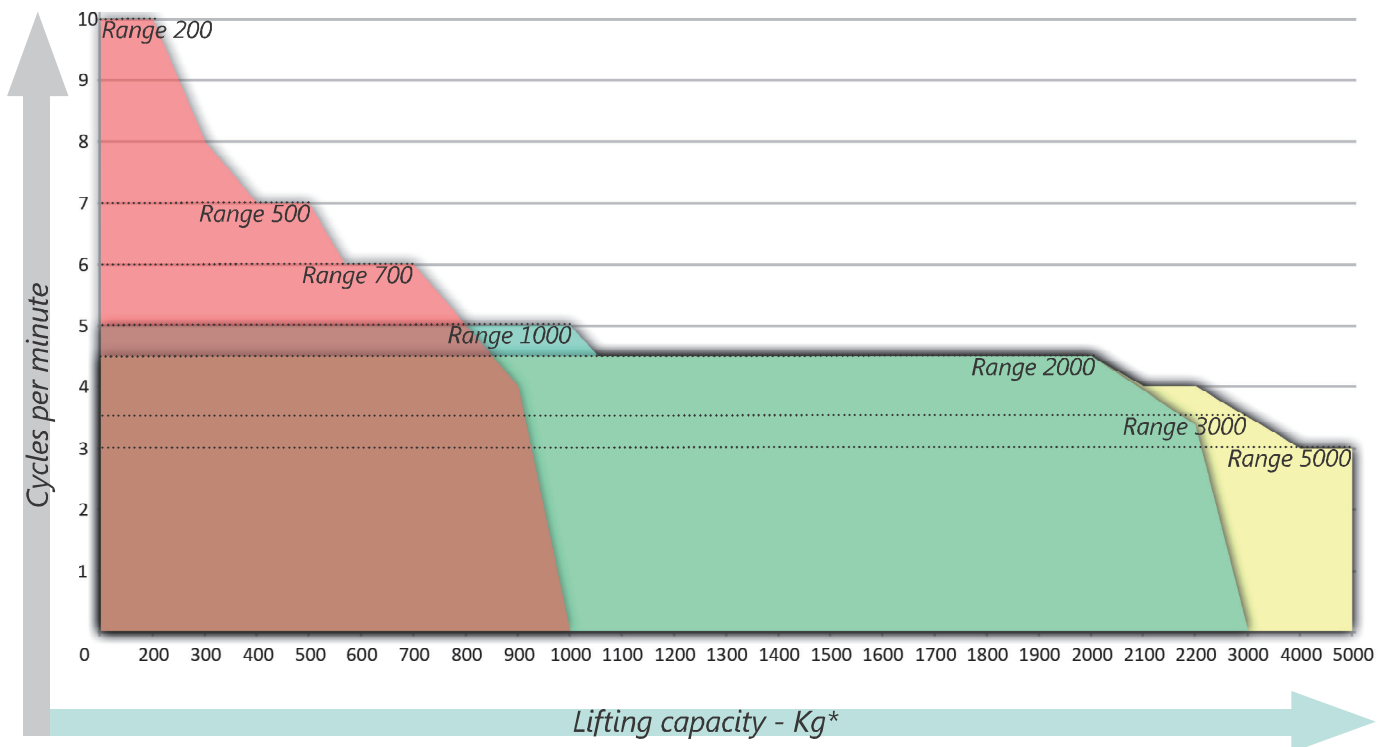




The ideal tool for automating your functions :

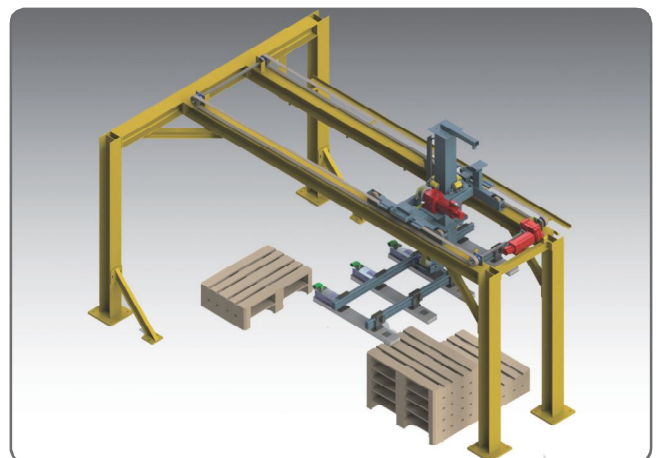
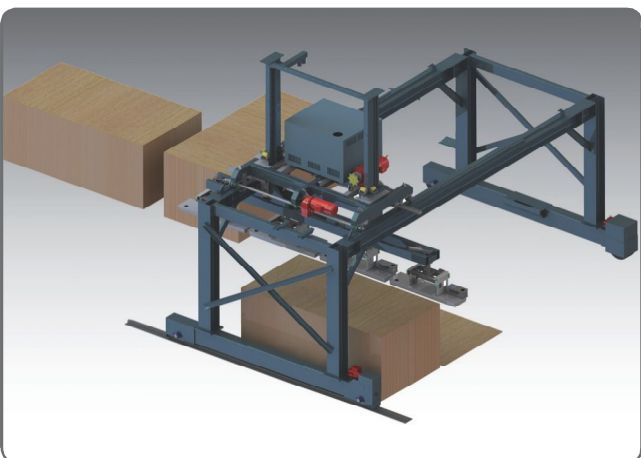
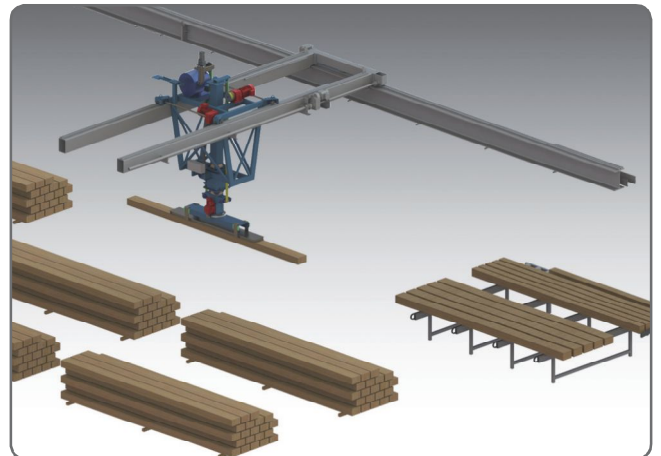
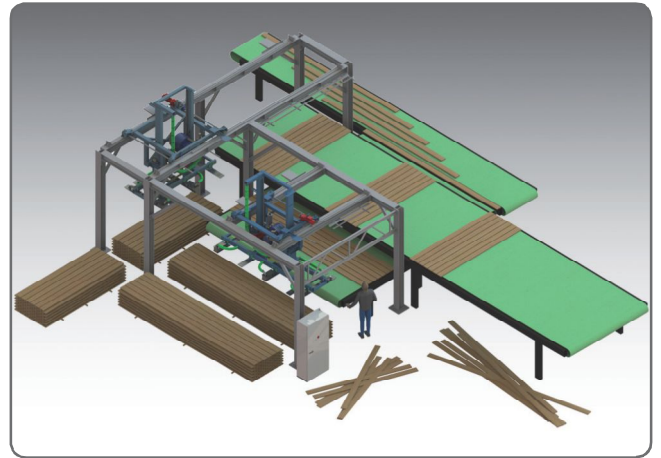
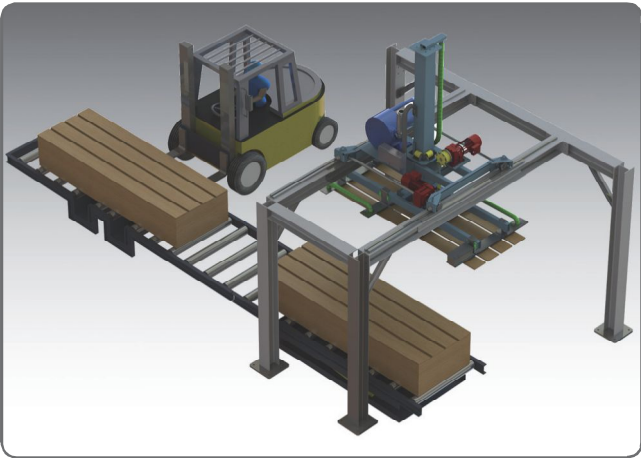
- Guaranteed Performance
- Stacking / destacking
- Automatic infeed of High speed production lines (Moulders, Resaws, Band Saws, Planers...)
- Sticking / desticking
- A large range of machines adapted to your needs
- Faster and lighter new machines (see chart below)
- Minimum maintenance

Since 1969, Joulin was the first to handle wood with low and high flow vacuum technology. Joulin is a versatile and reactive company with a well established international network.



\*Vary in relation with strokes and weight

# Examples



# Photos

