

Suction cup accessories



Mounting Elements



Level compensators



Ball joints



Suction cup valves



Fittings



Other

## Height adjuster HA



- ▶ Facilitates the positioning (y-direction) of a suction cup.
- ▶ Provides an adjustable height extension between a mounting bracket (MB) and a suction cup.
- ▶ Can be used with a suction cup / rod extension to further elongate the cup position.
- ▶ Key handle to avoid rotation when connecting vacuum ports.

### Technical data, specific

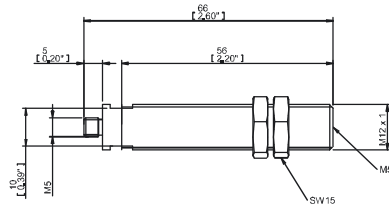
Description	Unit	Value			
		0200461	0200462	0200463	0121122
Material		Al, Nitrile, Steel	Al, Nitrile, Steel	Al, Nitrile, Steel	Al, NBR, Steel
Temperature range	°C	-20-60	-20-60	-20-60	-30-70
Weight	g	23	35	60	130
Min tightening torque	Nm	6	7	16	-
Max tightening torque	Nm	10	15	30	-
Max vertical load	N	44	87	214	-
Max horizontal load	N	31	61	150	-
Action range	mm	50	50	50	48
Volume	l	0.001131	0.0036	0.0036	0.032

# Suction cups/grippers Mounting elements

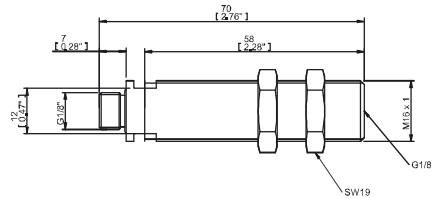


## Ordering information

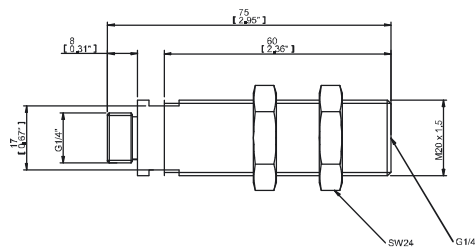
	Description	Art. No.
A	Height adjuster HA12	0200461
B	Height adjuster HA16	0200462
C	Height adjuster HA20	0200463
D	Height adjuster HA25	0121122



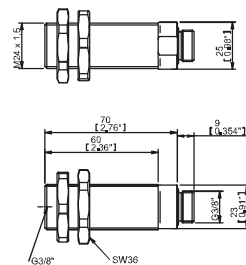
A



B



C



D

## Mounting bracket MB



- ▶ Mounting brackets suitable for extruded profile systems.
- ▶ Level compensators and height adjusters with external thread in sizes M12, M16, M20 and M25 are ideal for clamping on the mounting brackets.
- ▶ Facilitates the installation of a suction cup and positioning in X-direction.
- ▶ Long and short versions available.

### Technical data

Description	Unit	Value
Material		Steel
Temperature range	°C	-20-60

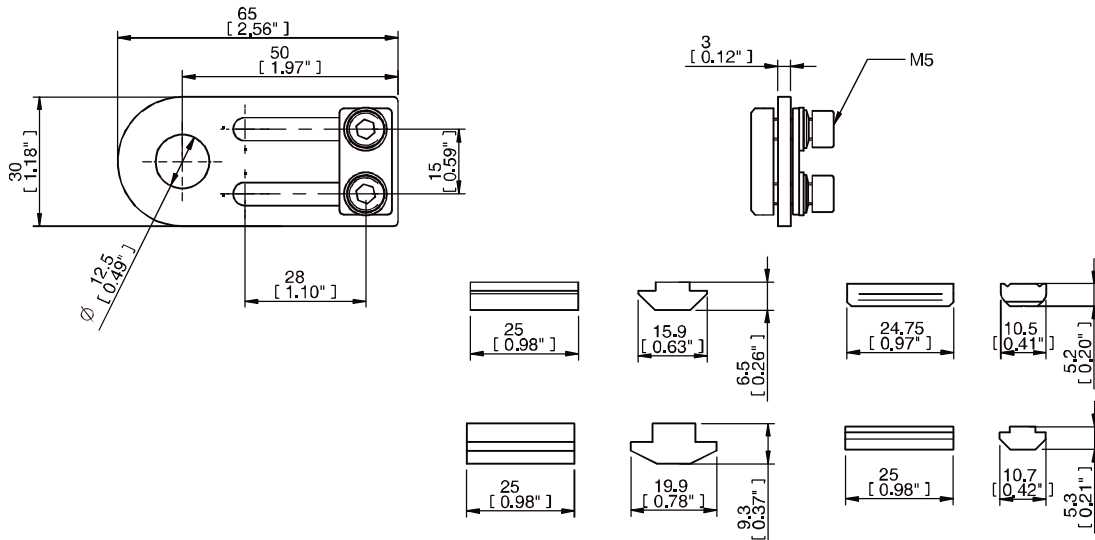
### Technical data, specific

Art. No.	Weight	Max vertical load	Max bend torque
	g	N	Nm
0200449	45	200	7
0200450	45	200	7
0200451	40	200	7
0200452	70	300	15
0200455	60	200	7
0200454	65	200	7
0200456	60	200	7
0200457	100	300	15

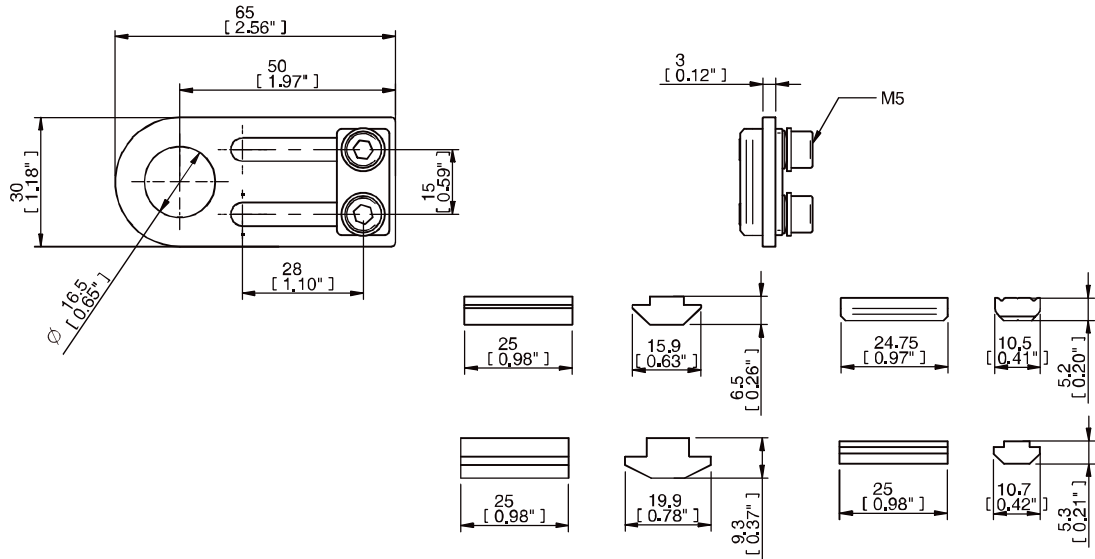
### Ordering information

	Description	Art. No.
A	Mounting bracket MB12S	0200449
B	Mounting bracket MB16S	0200450
C	Mounting bracket MB20S	0200451
D	Mounting bracket MB25S	0200452
E	Mounting bracket MB12L	0200455
F	Mounting bracket MB16L	0200454
G	Mounting bracket MB20L	0200456
H	Mounting bracket MB25L	0200457

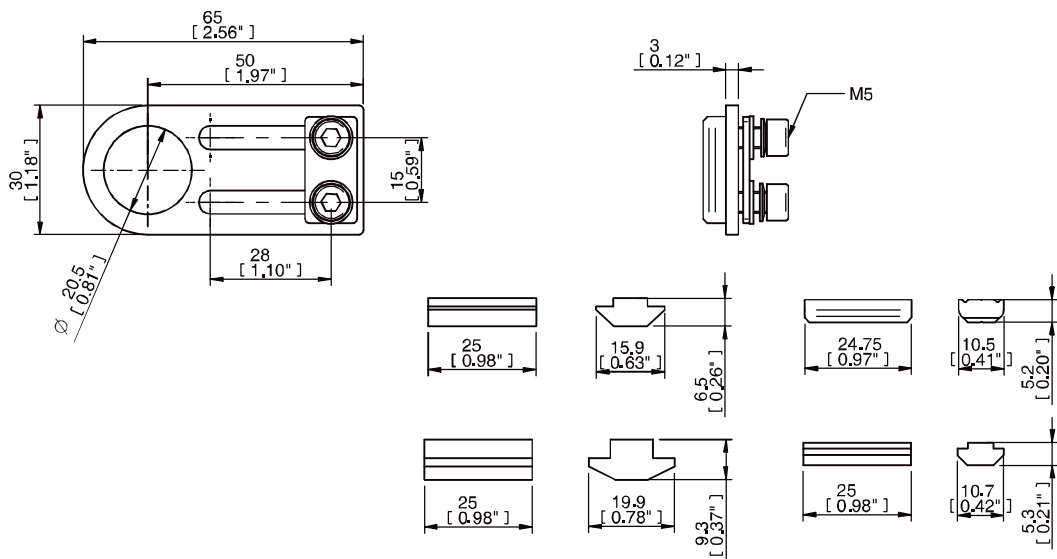
# Suction cups/grippers Mounting elements



A

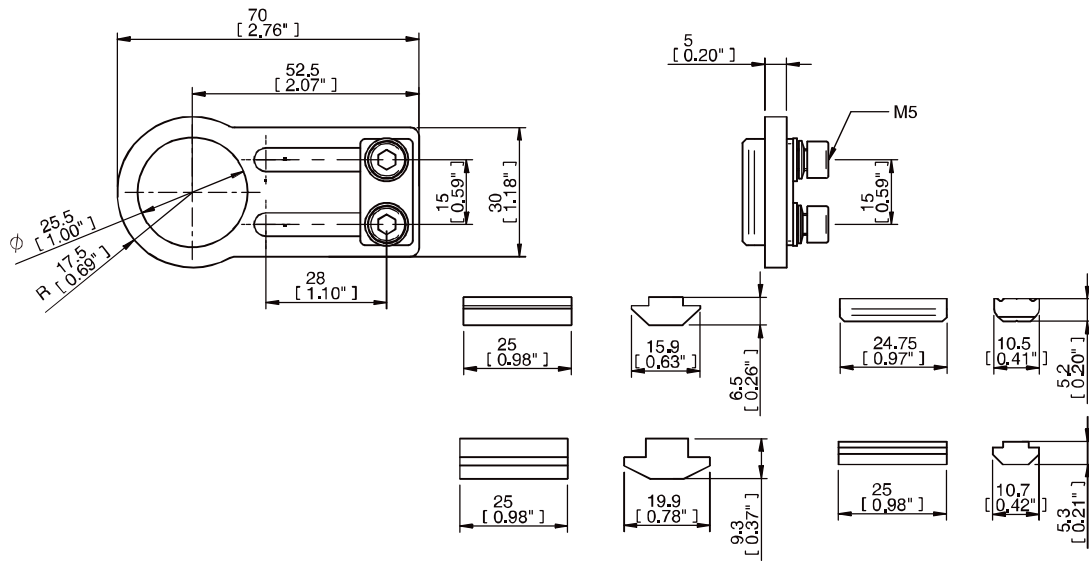


B

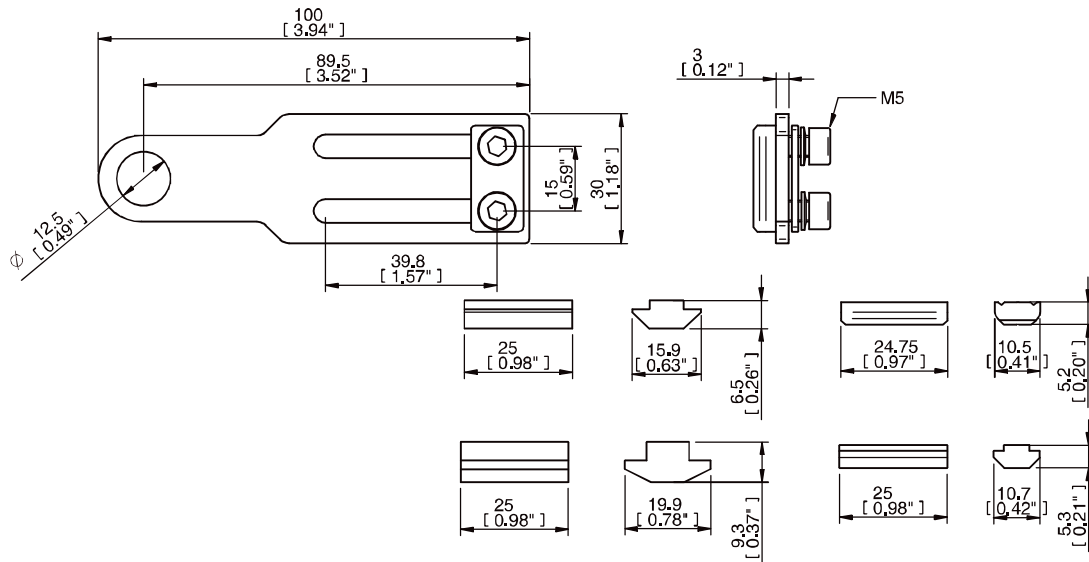


C

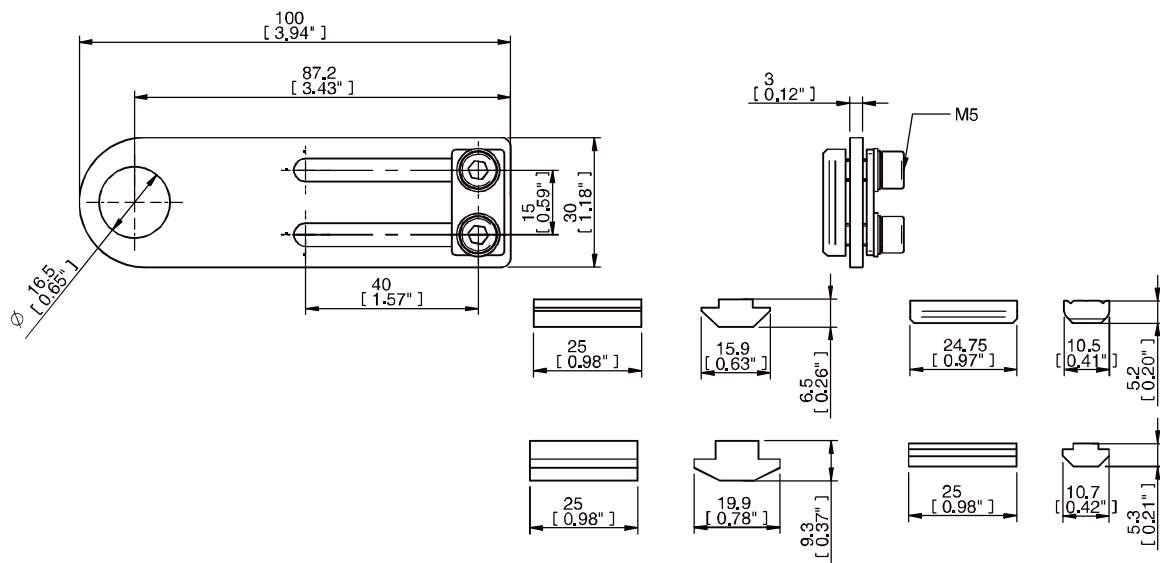
# Suction cups/grippers Mounting elements



D

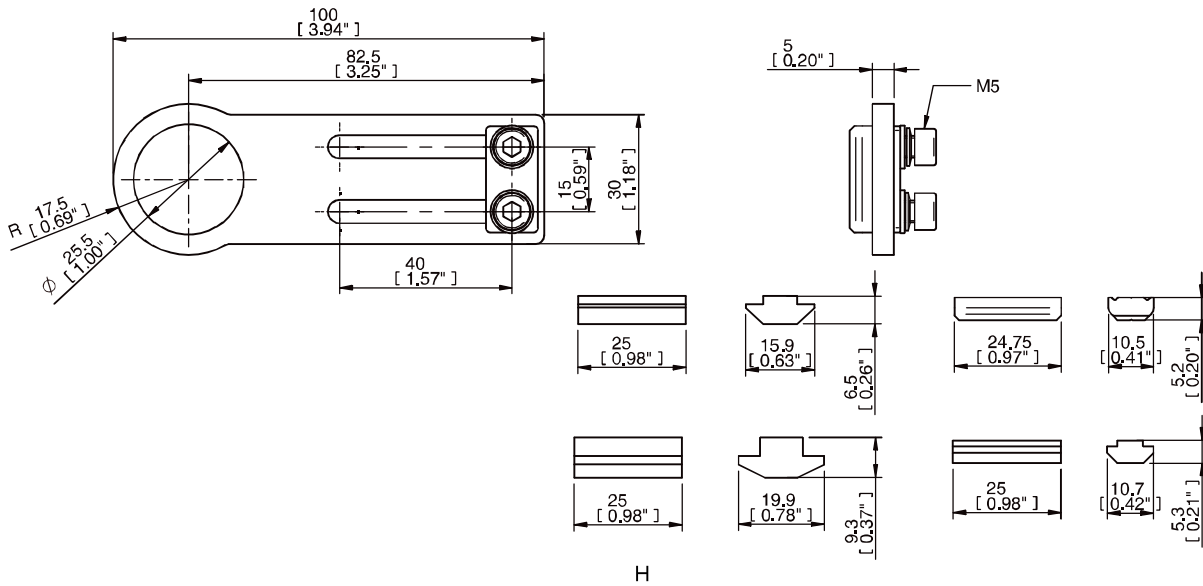
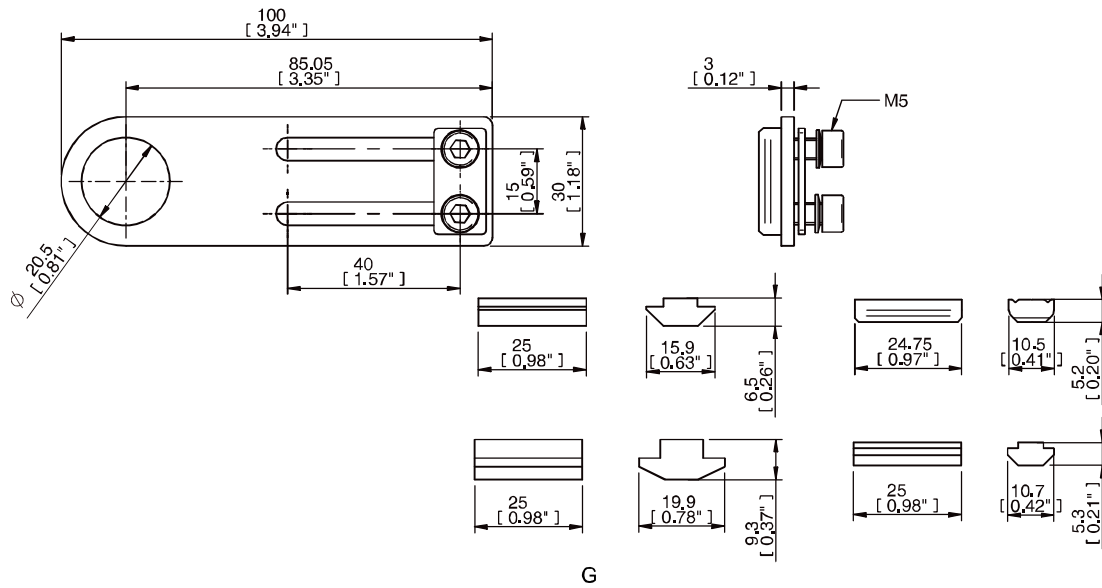


E

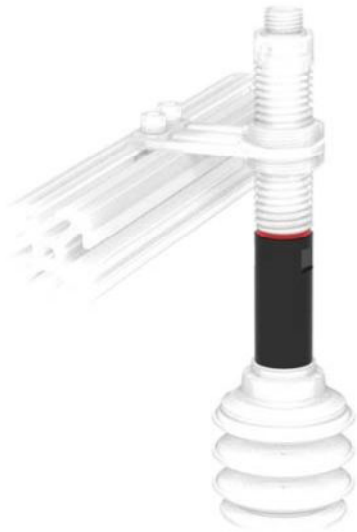


F

# Suction cups/grippers Mounting elements



## Suction cup extension SE



- ▶ Solid rod extension with air/vacuum channel.
- ▶ For mounting a suction cup.
- ▶ Available in several sizes.
- ▶ Can be used with a height adjuster (HA) or level compensator (LC).

### Technical data, specific

Description	Unit	Value			
		0200458	0200459	0200460	0110655
Material		Al, PA	Al, PA	Al, PA	Al, NBR
Temperature range	°C	-20-60	-20-60	-20-60	-30-70
Weight	g	10	25	30	56
Max load	kg	N/A	40	40	-
Action range	mm	N/A	50	50	-
Min tightening torque	Nm	1	7	16	-
Max tightening torque	Nm	2	15	30	-
Max vertical load	N	44	87	214	700
Max horizontal load	N	31	61	150	400
Volume	l	-	-	-	0.005
Radial deflection at 400 N	mm	-	-	-	<1

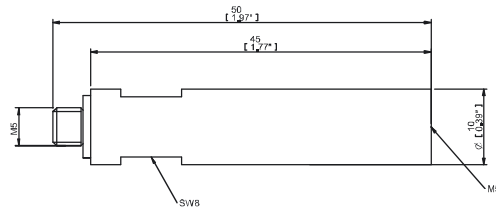


# Suction cups/grippers Mounting elements

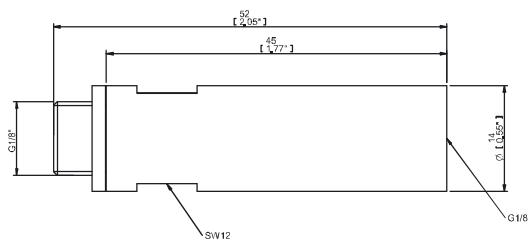


## Ordering information

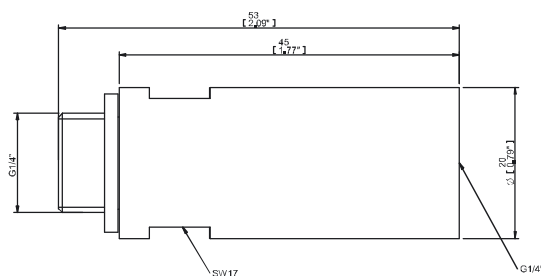
	Description	Art. No.
A	Suction cup extension SE12	0200458
B	Suction cup extension SE16	0200459
C	Suction cup extension SE20	0200460
D	Suction cup extension SE25	0110655



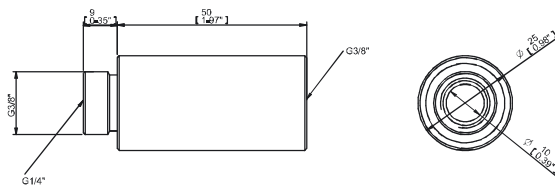
A



B



C



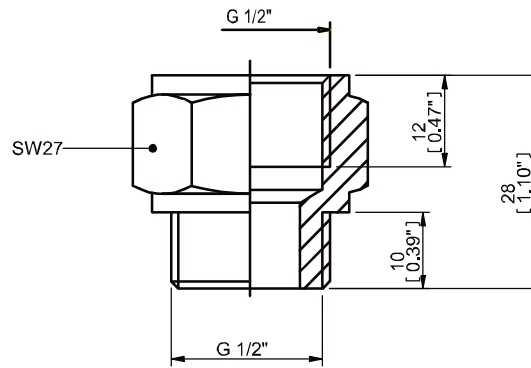
D

# Suction cups/grippers Accessories



## Ordering information, accessories

Description	Art. No.
Connector ext-int G1/2"	3107757



## Height adjuster



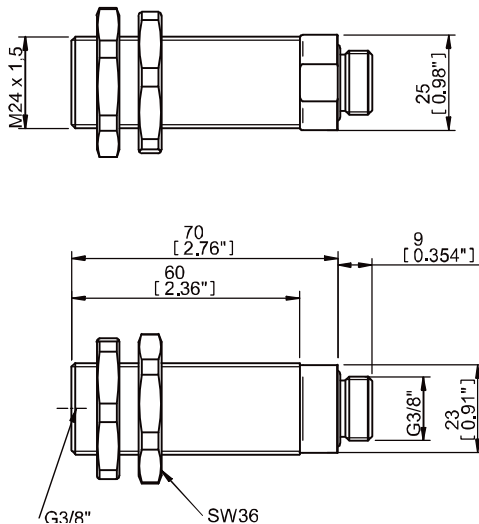
- ▶ Provides a height extension between the tooling and the suction cup.
- ▶ Adjustable in height.
- ▶ Can be used with Suction cup extension.
- ▶ Key handle to avoid rotation when connecting vacuum ports.

### Technical data

Description	Unit	Value
Material		Al, NBR, Steel
Temperature range	°C	-30-70
Weight	g	130
Volume, internal	cm <sup>3</sup>	32
Action range, adjustable length	mm	48

### Ordering information

Description	Art. No.
Height adjuster G3/8" male x G3/8" female	0121122



### Ordering information, accessories

Description	Art. No.
Adapter fitting G3/8" male x 3/8" NPT male	0121240

## Suction cup extension



- ▶ Solid extension for mounting a suction cup.
- ▶ Several heights available.
- ▶ Can be used with Height adjuster.

### Technical data

Description	Unit	Value
Material		AL, NBR
Temperature range	°C	-30-70
Max. load, radial	N	400
Max. load, axial	N	700
Radial deflection at 400 N	mm	<1

Operational lifetime: 10,000,000 cycles at max. load

### Technical data, specific - G threads

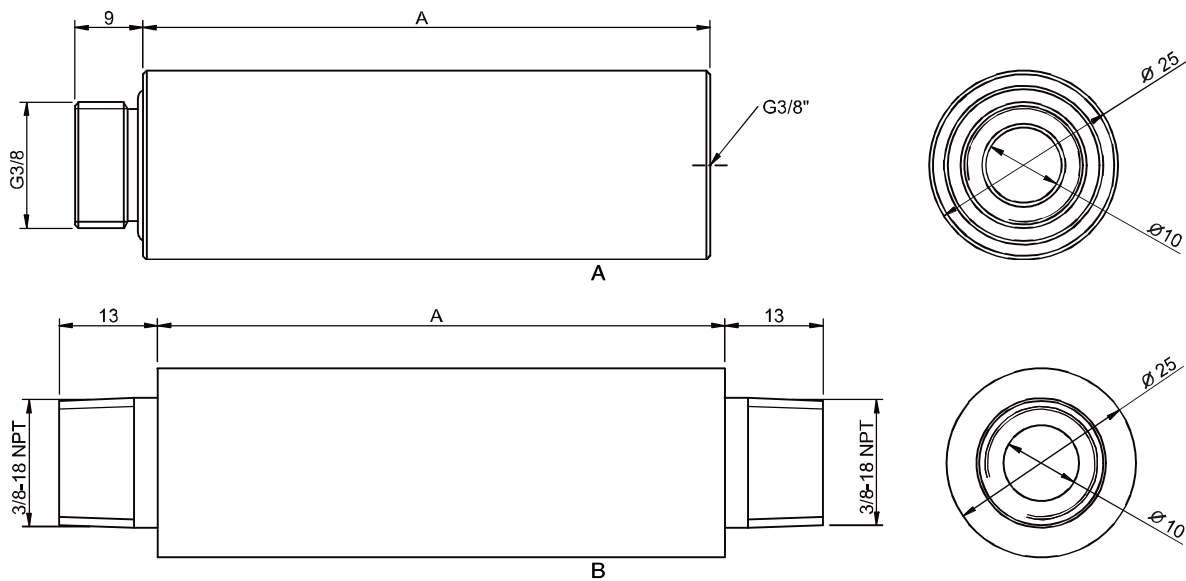
Description	Unit	Value					
		0110653	0110655	0110657	0110659	0110661	0110663
Weight	g	29	56	84	123	168	223
Volume, internal	cm <sup>3</sup>	3	5	7	9	12	16

### Technical data, specific - NPT threads

Description	Unit	Value					
		0121138	0121139	0121140	0121141	0121142	0121143
Weight	g	39	66	94	133	178	233
Volume, internal	cm <sup>3</sup>	3	5	7	9	12	16

## Ordering information

	Description	PMAT No.	Art. No.
A	Suction cup extension 25, G3/8" male x G3/8" female	X7044	0110653
A	Suction cup extension 50, G3/8" male x G3/8" female	X7046	0110655
A	Suction cup extension 75, G3/8" male x G3/8" female	X7051	0110657
A	Suction cup extension 110, G3/8" male x G3/8" female	X7054	0110659
A	Suction cup extension 150, G3/8" male x G3/8" female	X7058	0110661
A	Suction cup extension 200, G3/8" male x G3/8" female	X7062	0110663
B	Suction cup extension 25, 3/8" NPT male x 3/8" NPT male	--	0121138
B	Suction cup extension 50, 3/8" NPT male x 3/8" NPT male	--	0121139
B	Suction cup extension 75, 3/8" NPT male x 3/8" NPT male	--	0121140
B	Suction cup extension 110, 3/8" NPT male x 3/8" NPT male	--	0121141
B	Suction cup extension 150, 3/8" NPT male x 3/8" NPT male	--	0121142
B	Suction cup extension 200, 3/8" NPT male x 3/8" NPT male	--	0121143



## Dimensions

Description	A mm
Suction cup extension 25	25
Suction cup extension 50	50
Suction cup extension 75	75
Suction cup extension 110	110
Suction cup extension 150	150
Suction cup extension 200	200

## Ordering information, accessories

Description	Art. No.
Height adjuster G3/8" male x G3/8" female	0121122

## Level compensator LC



- ▶ Adjust differences in levels, for example on lifting devices with several suction cups.
- ▶ Less demand for exact positioning of vacuum handling device.
- ▶ Provides a certain degree of shock and vibration absorption.
- ▶ Allows for soft placement of cups on sensitive or thin objects.
- ▶ Non-rotational design, suitable for use with oval suction cups.
- ▶ Wide range of thread connections and stroke lengths.

### Technical data

Description	Unit	Value
Material		Al, SS
Temperature range	°C	0-60

### Technical data, specific

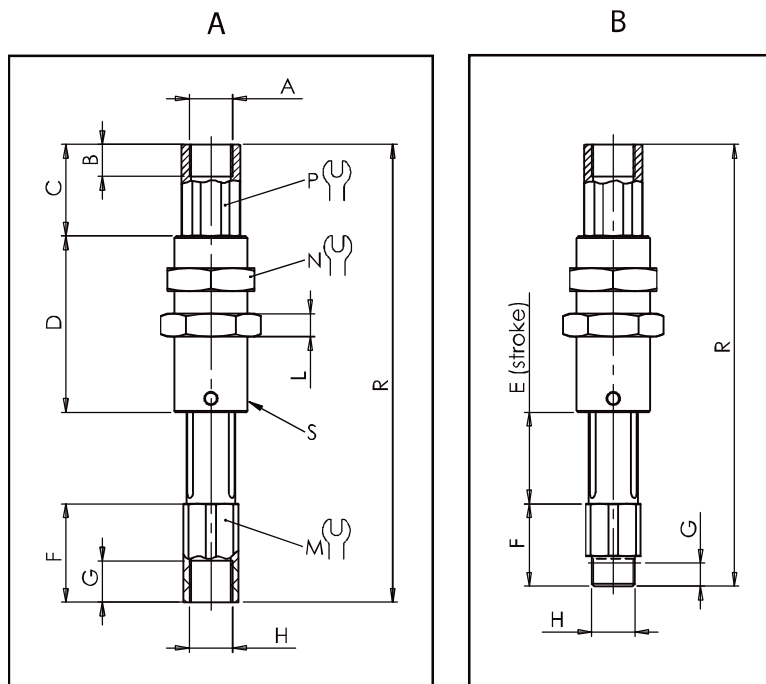
Art. No.	Spring force N/mm	Internal force N	End force N	Weight g	Volume cm <sup>3</sup>	Connection	Action range/ Stroke mm	Max. recommended suction cup
0127103	0.21	1.9	4.1	17	0.22	M5	10	Ø30mm (Area: 700mm <sup>2</sup> )
0127104	0.21	1.9	4.1	17	0.22	M5	10	Ø30mm (Area: 700mm <sup>2</sup> )
0127105	0.12	2	5	23	0.22	M5	25	Ø30mm (Area: 700mm <sup>2</sup> )
0127106	0.12	2	5	23	0.22	M5	25	Ø30mm (Area: 700mm <sup>2</sup> )
0124951	0.27	3.6	9.0	36	1.14	G1/8"	20	Ø50mm (Area: 2000mm <sup>2</sup> )
0124952	0.27	3.6	9.0	36	1.14	G1/8"	20	Ø50mm (Area: 2000mm <sup>2</sup> )
0124953	0.15	4.3	9.5	46	1.63	G1/8"	35	Ø50mm (Area: 2000mm <sup>2</sup> )
0124954	0.15	4.3	9.5	46	1.83	G1/8"	35	Ø50mm (Area: 2000mm <sup>2</sup> )
0124955	0.27	4.1	11	64	2.47	G1/4"	25	Ø80mm (Area: 5000mm <sup>2</sup> )
0124956	0.27	4.1	11	64	2.8	G1/4"	25	Ø80mm (Area: 5000mm <sup>2</sup> )
0124957	0.14	4.3	11.4	90	4.1	G1/4"	50	Ø80mm (Area: 5000mm <sup>2</sup> )
0124958	0.14	4.3	11.4	90	4.4	G1/4"	50	Ø80mm (Area: 5000mm <sup>2</sup> )
0124959	0.27	5.6	16.5	164	6.6	G3/8"	40	Ø125mm (Area: 12000mm <sup>2</sup> )
0124960	0.27	5.6	16.5	164	7.4	G3/8"	40	Ø125mm (Area: 12000mm <sup>2</sup> )
0124961	0.14	6	17	231	11.16	G3/8"	80	Ø125mm (Area: 12000mm <sup>2</sup> )
0124962	0.14	6	17	231	11.96	G3/8"	80	Ø125mm (Area: 12000mm <sup>2</sup> )

## Ordering information

Description	Art. No.
Level compensator LC12-F0510	0127103
Level compensator LC12-M0510	0127104
Level compensator LC12-F0525	0127105
Level compensator LC12-M0525	0127106
Level compensator LC16-F1820	0124951
Level compensator LC16-M1820	0124952
Level compensator LC16-F1835	0124953
Level compensator LC16-M1835	0124954
Level compensator LC20-F1425	0124955
Level compensator LC20-M1425	0124956
Level compensator LC20-F1450	0124957
Level compensator LC20-M1450	0124958
Level compensator LC25-F3840	0124959
Level compensator LC25-M3840	0124960
Level compensator LC25-F3880	0124961
Level compensator LC25-M3880	0124962

## Dimensions mm

	Art. No.	A	B	C	D	E	F	G	H	L	M	N	P	R	S
A	0127103	M5	5.5	17	25	10	8	5.5	M5	4	10	15	10	60	M12x1
B	0127104	M5	5.5	17	25	10	9.5	4.5	M5	4	10	15	10	61.5	M12x1
A	0127105	M5	5.5	17	44	25	8	5.5	M5	4	10	15	10	94	M12x1
B	0127106	M5	5.5	17	44	25	9.5	4.5	M5	4	10	15	10	95.5	M12x1
A	0124951	G1/8"	7	20	38.5	20	21.5	9	G1/8"	5	12	19	12	100	M16x1
B	0124952	G1/8"	7	20	38.5	20	18	5	G1/8"	5	12	19	12	96.5	M16x1
A	0124953	G1/8"	7	20	58.5	35	21.5	9	G1/8"	5	12	19	12	135	M16x1
B	0124954	G1/8"	7	20	58.5	35	18	5	G1/8"	5	12	19	12	131.5	M16x1
A	0124955	G1/4"	10	23	50	25	15	10	G1/4"	6	16	24	16	113	M20x1.5
B	0124956	G1/4"	10	23	50	25	14	6.5	G1/4"	6	16	24	16	112	M20x1.5
A	0124957	G1/4"	10	23	82.5	50	15	10	G1/4"	6	16	24	16	170.5	M20x1.5
B	0124958	G1/4"	10	23	82.5	50	14	6.5	G1/4"	6	16	24	16	169.5	M20x1.5
A	0124959	G3/8"	11	33	71	40	15	11	G3/8"	8	22	32	22	159	M25x1.5
B	0124960	G3/8"	11	33	71	40	18	9.5	G3/8"	8	22	32	22	162	M25x1.5
A	0124961	G3/8"	11	33	121	80	15	11	G3/8"	8	22	32	22	249	M25x1.5
B	0124962	G3/8"	11	33	121	80	18	9.5	G3/8"	8	22	32	22	252	M25x1.5



## Level compensator LC



- ▶ Adjust differences in levels, for example on lifting devices with several suction cups.
- ▶ Less demand for exact positioning of vacuum handling device.
- ▶ Provides a certain degree of shock and vibration absorption.
- ▶ Allows for soft placement of cups on sensitive or thin objects.
- ▶ Non-rotational design, suitable for use with oval suction cups.
- ▶ Wide range of thread connections and stroke lengths.

### Technical data

Description	Unit	Value
Material		Al, SS
Temperature range	°C	0-60

### Technical data, specific

Art. No.	Spring force N/mm	Internal force N	End force N	Weight g	Volume cm <sup>3</sup>	Connection	Action range/Stroke mm	Max. recommended suction cup
0127103	0.21	1.9	4.1	17	0.22	M5	10	Ø30mm (Area: 700mm <sup>2</sup> )
0127104	0.21	1.9	4.1	17	0.22	M5	10	Ø30mm (Area: 700mm <sup>2</sup> )
0127105	0.12	2	5	23	0.22	M5	25	Ø30mm (Area: 700mm <sup>2</sup> )
0127106	0.12	2	5	23	0.22	M5	25	Ø30mm (Area: 700mm <sup>2</sup> )
0124951	0.27	3.6	9.0	36	1.14	G1/8"	20	Ø50mm (Area: 2000mm <sup>2</sup> )
0124952	0.27	3.6	9.0	36	1.14	G1/8"	20	Ø50mm (Area: 2000mm <sup>2</sup> )
0124953	0.15	4.3	9.5	46	1.63	G1/8"	35	Ø50mm (Area: 2000mm <sup>2</sup> )
0124954	0.15	4.3	9.5	46	1.83	G1/8"	35	Ø50mm (Area: 2000mm <sup>2</sup> )
0124955	0.27	4.1	11	64	2.47	G1/4"	25	Ø80mm (Area: 5000mm <sup>2</sup> )
0124956	0.27	4.1	11	64	2.8	G1/4"	25	Ø80mm (Area: 5000mm <sup>2</sup> )
0124957	0.14	4.3	11.4	90	4.1	G1/4"	50	Ø80mm (Area: 5000mm <sup>2</sup> )
0124958	0.14	4.3	11.4	90	4.4	G1/4"	50	Ø80mm (Area: 5000mm <sup>2</sup> )
0124959	0.27	5.6	16.5	164	6.6	G3/8"	40	Ø125mm (Area: 12000mm <sup>2</sup> )
0124960	0.27	5.6	16.5	164	7.4	G3/8"	40	Ø125mm (Area: 12000mm <sup>2</sup> )
0124961	0.14	6	17	231	11.16	G3/8"	80	Ø125mm (Area: 12000mm <sup>2</sup> )
0124962	0.14	6	17	231	11.96	G3/8"	80	Ø125mm (Area: 12000mm <sup>2</sup> )

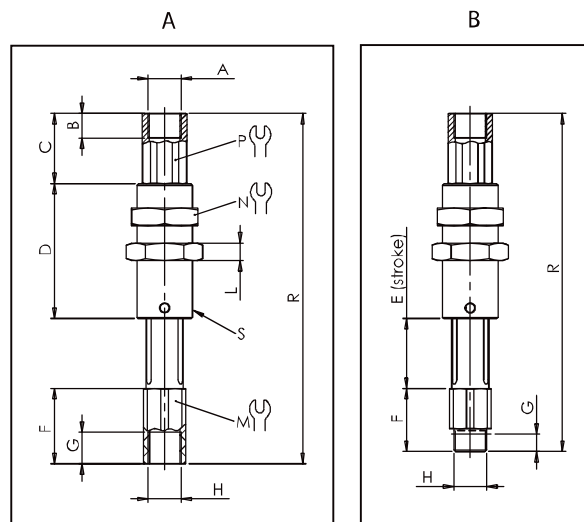


## Ordering information

Description	Art. No.
Level compensator LC12-F0510	0127103
Level compensator LC12-M0510	0127104
Level compensator LC12-F0525	0127105
Level compensator LC12-M0525	0127106
Level compensator LC16-F1820	0124951
Level compensator LC16-M1820	0124952
Level compensator LC16-F1835	0124953
Level compensator LC16-M1835	0124954
Level compensator LC20-F1425	0124955
Level compensator LC20-M1425	0124956
Level compensator LC20-F1450	0124957
Level compensator LC20-M1450	0124958
Level compensator LC25-F3840	0124959
Level compensator LC25-M3840	0124960
Level compensator LC25-F3880	0124961
Level compensator LC25-M3880	0124962

## Dimensions mm

	Art. No.	A	B	C	D	E	F	G	H	L	M	N	P	R	S
A	0127103	M5	5.5	17	25	10	8	5.5	M5	4	10	15	10	60	M12x1
B	0127104	M5	5.5	17	25	10	9.5	4.5	M5	4	10	15	10	61.5	M12x1
A	0127105	M5	5.5	17	44	25	8	5.5	M5	4	10	15	10	94	M12x1
B	0127106	M5	5.5	17	44	25	9.5	4.5	M5	4	10	15	10	95.5	M12x1
A	0124951	G1/8"	7	20	38.5	20	21.5	9	G1/8"	5	12	19	12	100	M16x1
B	0124952	G1/8"	7	20	38.5	20	18	5	G1/8"	5	12	19	12	96.5	M16x1
A	0124953	G1/8"	7	20	58.5	35	21.5	9	G1/8"	5	12	19	12	135	M16x1
B	0124954	G1/8"	7	20	58.5	35	18	5	G1/8"	5	12	19	12	131.5	M16x1
A	0124955	G1/4"	10	23	50	25	15	10	G1/4"	6	16	24	16	113	M20x1.5
B	0124956	G1/4"	10	23	50	25	14	6.5	G1/4"	6	16	24	16	112	M20x1.5
A	0124957	G1/4"	10	23	82.5	50	15	10	G1/4"	6	16	24	16	170.5	M20x1.5
B	0124958	G1/4"	10	23	82.5	50	14	6.5	G1/4"	6	16	24	16	169.5	M20x1.5
A	0124959	G3/8"	11	33	71	40	15	11	G3/8"	8	22	32	22	159	M25x1.5
B	0124960	G3/8"	11	33	71	40	18	9.5	G3/8"	8	22	32	22	162	M25x1.5
A	0124961	G3/8"	11	33	121	80	15	11	G3/8"	8	22	32	22	249	M25x1.5
B	0124962	G3/8"	11	33	121	80	18	9.5	G3/8"	8	22	32	22	252	M25x1.5



## Level compensators



- ▶ Adjust differences in levels, for example on lifting devices with several suction cups on a frame.
- ▶ A level compensator is often advantageous since it places less demand on exact vertical positioning, for example on a handling robot.
- ▶ The level compensator provides a certain degree of shock absorption.
- ▶ Level Compensator G1/2" with stiffer spring is identical to standard level compensator G1/2" except for thicker spring material. Suits e.g. robot vision systems in applications such as auto-racking.

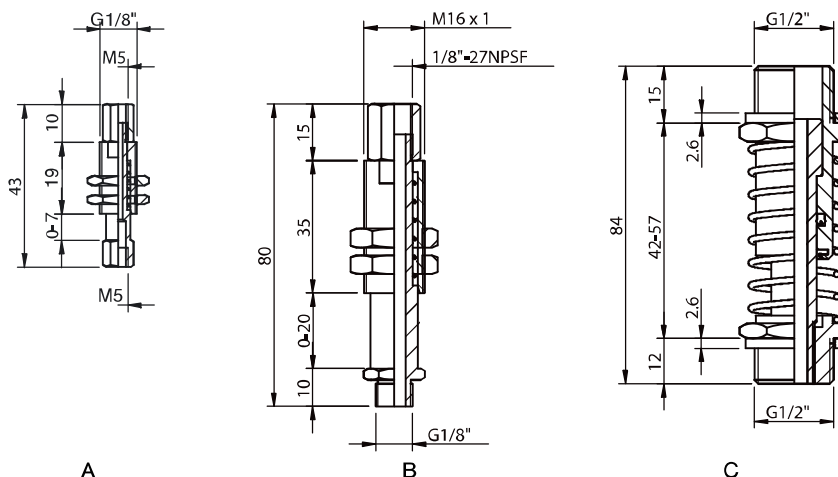
### Technical data

Description	Unit	Value			
		M5	G1/8"	G1/2"	G1/2" with stiffer spring
Weight	g	10	70	160	196
Temperature range	°C	-20-120	-20-120	-20-90	-20-90
Stroke	mm	0-7	0-20	0-15	0-15
Max. Load	kg	3.0	25	50	50
Material		Steel/CuZn	Steel/CuZn	Steel	Steel

### Ordering information

	Description	Art. No.
A	Level compensator M5	3350068
B	Level compensator G1/8"	3350069
C	Level compensator G1/2"	3350071
C	Level compensator G1/2" with stiffer spring	0114291

When using Level compensator G1/2" (3350071 and 0114291) with Suction cup F75 G1/2" female with cone valve (0101872 and 0101879), a Connector G1/2" (3107757) must be used.



## Level compensator LC30



- ▶ Tailor made for the Vacuum Gripper System, VGST™, but can also be used together with other Piab products.
- ▶ Developed for use with standard profile systems.
- ▶ Easy installation with the option of fine adjustments and positioning of the suction cup.
- ▶ Non-rotational for use with, for example, oval suction cups. Can easily be made rotational.
- ▶ Quiet and reliable level compensation with load protection and shock absorption.

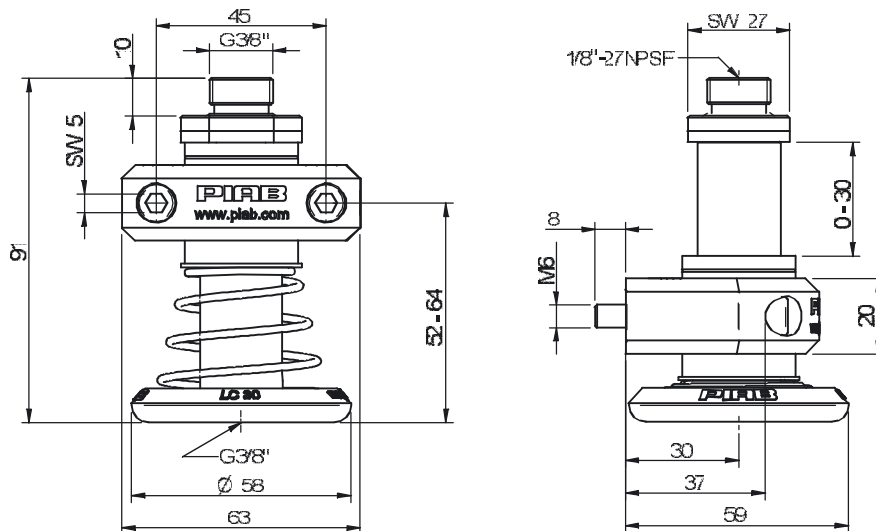
### Technical data

Description	Unit	Value
Spring force	N	5–42
Stroke	mm	30
Weight	g	220
Volume, internal	cm <sup>3</sup>	5
Maximum load, vertical	N	700
Temperature range	°C	10–50
Adjustable in height	mm	12
Adjustable in rotational direction	°	0–360
Material		Al, NBR, PA, POM, PUR, SS

### Ordering information

Description	Art. No.
Level compensator LC30	0111552

LC 30 is delivered with two MC6S M6x45 fzb screws.



## Vactivator V18



- ▶ Actuated by vacuum only
- ▶ Automatic extension and retraction
- ▶ Self-adjusting stroke, the piston with a suction cup returns home as soon as it seals off the object
- ▶ Suction cup ordered separately
- ▶ Simple solution for high picking speed
- ▶ Easy installation
- ▶ Designed for millions of cycles under normal industrial conditions

### Technical data

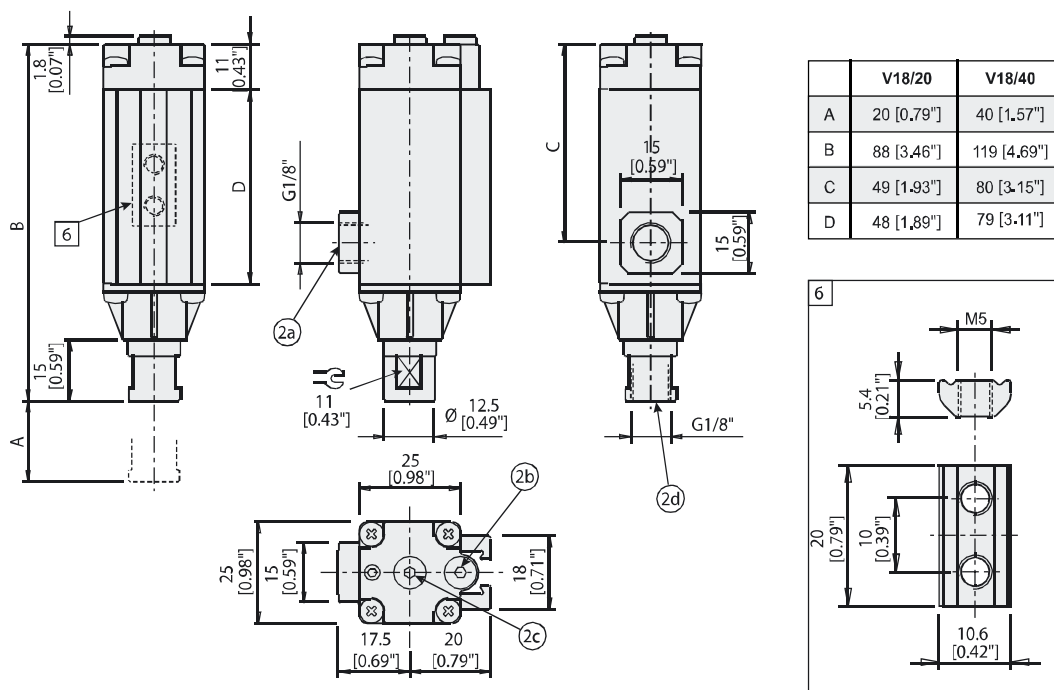
Description	Unit	Value
Temperature range	°C	10-40
Cylinder bore	mm	18
Recommended max. vertical load	g	500
Material		Al, NBR, POM, SS, Fe, CuZn
Mounting, position		Vertical
Min. vacuum flow	NI/s	0.5

### Technical data, specific

Description	Unit	Value	
		0129516	0129517
Vacuum	-kPa	30-100	30-100
Stroke	mm	0-20	0-40
Weight	g	90	125

### Ordering information

Description	Art. No.
Vactivator V18/20	0129516
Vactivator V18/40	0129517



2a = Vacuum pump, 2b = Vacuum sensing, 2c = Blow-off, 2d = Suction cup

## Ball joints



- ▶ Ball joint fittings could be used when lifting sheet metal with a device using several suction cups.
- ▶ To avoid bending stress a suction cup can be fitted with a balljoint.

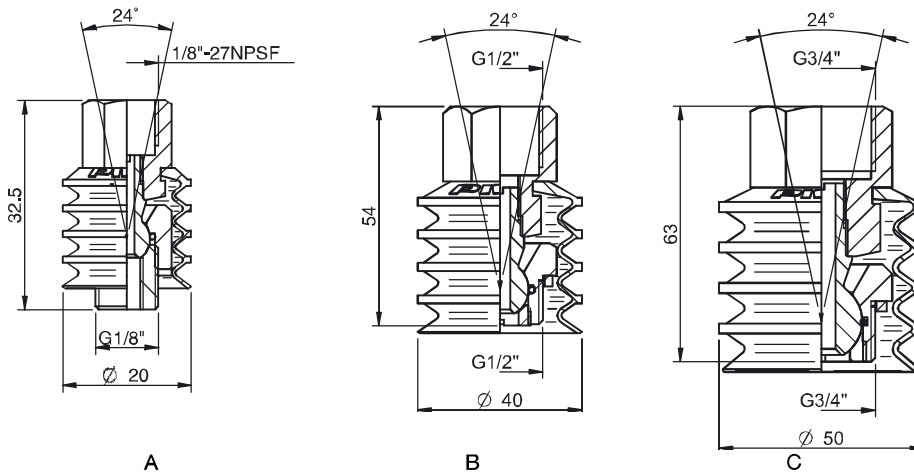
### Technical data

Description	Unit	Value		
		G1/8"	G1/2"	G3/4"
Weight	g	20	110	200
Temperature range	°C	-40-110	-40-110	-40-110
Angle	°	±12	±12	±12
Max. Load	kg	25	50	150
Material		Steel/CR/PA/NBR	Steel/CR/PA/NBR	Steel/CR/PA/NBR

### Ordering information

	Description	Art. No.
A	Ball joint G1/8"	3350065
B	Ball joint G1/2"	3350066
C	Ball joint G3/4"	3350067

When using Ball joint G1/2" (3350066) with Suction cup F75 G1/2" with cone valve (0101872 and 0101879), a Connector G1/2" (3107757) must be used.



### Ordering information, accessories

Description	Art. No.
Connector ext-int G1/2"	3107757

## Ball joint fitting



- ▶ Fitted to a suction cup to avoid bending stress.
- ▶ Non-leaking design to work with Vacuum Check Valve and Vacustat.
- ▶ Available in a loose-fit, a locking version or one with 5° movement.

### Technical data

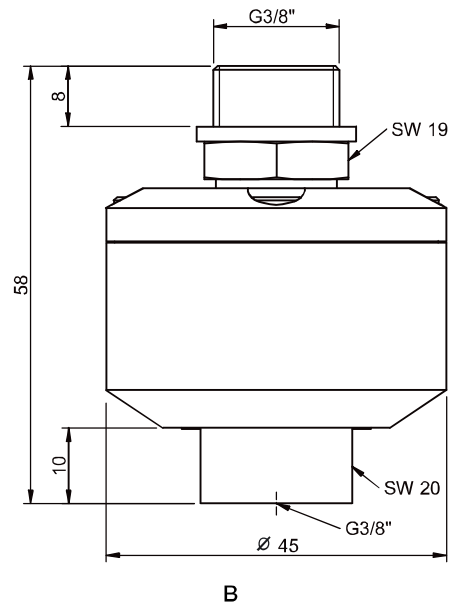
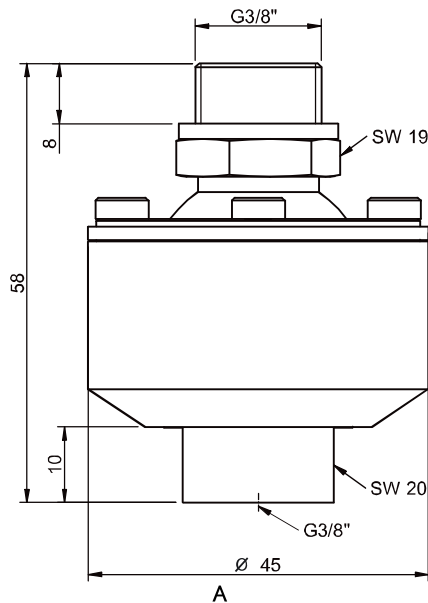
Description	Unit	Value
Material		SS, Zn, CuZn, NBR
Temperature range	°C	-30-70
Weight	g	348-393

### Technical data, specific

Description	Unit	Value		
		0110636	0121177	0110635
Angular movement	°	±20	±5	±20

### Ordering information

	Description	PMAT No.	Art. No.
A	Ball joint fitting G3/8"	X7016	0110635
A	Ball joint fitting G3/8", locking	X7018	0110636
B	Ball joint fitting G3/8", limited movement	X7026	0121177



### Ordering information, accessories

Description	Art. No.
Adapter fitting G3/8" male x 3/8" NPT male	0121240

piSAVE sense



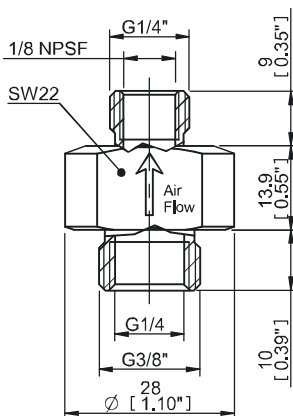
- ▶ Vacuum check valves which allows a few suction cups to miss the object(s) and still maintain enough vacuum level in the system with quick response and release times.
- ▶ The vacuum check valves shall be used in a centralized vacuum system, one for each suction cup.
- ▶ Designing with vacuum check valves will require a smaller vacuum pump and save energy.
- ▶ Suitable for handling different size or different number of leaking objects such as MDF boards, corrugated cardboards, with a flexible handling device.
- ▶ Also suitable for objects with surface leakage around the lip of the suction cup
- ▶ Available in three sizes with different flow performance/characteristics to suit different degree of leakage
- ▶ The valves are integrated in an AI-fitting with female and male threaded connections to facilitate installation

Technical data, sense

Description	Unit	Value		
		0128719 03/60	0128731 04/60	0128733 05/60
Material		HNBR, TPU, NBR, AL		
Weight	g	20,7		
Temperature range	°C	-20-80		
Pump flow/cup to close valve	NI/s	0.38 (@ 4 -kPa)	0.53 (@ 8 -kPa)	0.73 (@ 12 -kPa)
Pump flow/cup minimum	NI/s	0.10 (@ 20-70 -kPa)	0.17 (@ 30-70 -kPa)	0.27 (@ 40-70 -kPa)
Valve colour		Green	Blue	Red

Ordering information

Description	Art. No.
piSAVE sense Multiple port fitting 03/60	0128719
piSAVE sense Multiple port fitting 04/60	0128731
piSAVE sense Multiple port fitting 05/60	0128733



piSAVE restrict



- ▶ Vacuum flow restrictors which allows a few suction cups to miss the object(s) and still maintain enough vacuum level in the system.
- ▶ Suitable for handling different size sealed sheets/objects with the same flexible lifting device
- ▶ The vacuum flow restrictors shall be used in a centralized vacuum system, one for each suction cup.
- ▶ Designing with flow restrictors will require a smaller vacuum pump and save energy.
- ▶ Available in three sizes with different flow performance/characteristics to suit different size suction cups
- ▶ The restrictors are integrated in an AI-fitting with female and male threaded connections to facilitate installation

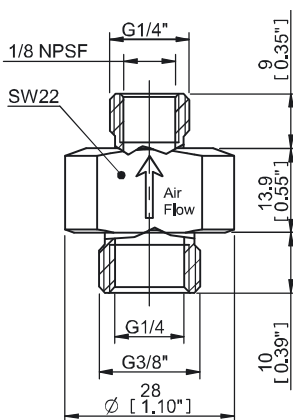
Technical data, flow-restrictors

Description	Unit	Value		
		0129339	0129340	0129341
Material		POM, NBR, AI		
Weight	g	20.7		
Temperature range	°C	-20-80		
Restriction diameter	mm	Ø0.7	Ø 1.0	Ø 1.3
Leakage flow maximum*	NI/s	0.08	0.16	0.27

\*Valid from 47 –kPa and higher in vacuum levels. At lower vacuum levels the leakage gradually decreases towards zero.

Ordering information

Description	Art. No.
piSAVE restrict multiple port fitting 0.7	0129339
piSAVE restrict multiple port fitting 1.0	0129340
piSAVE restrict multiple port fitting 1.3	0129341





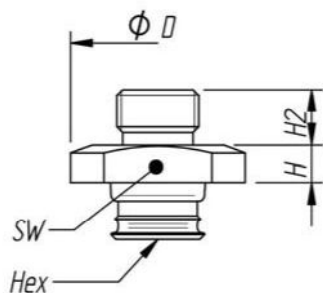
## piGRIP® fittings



- ▶ All fittings are possible to use for all piGRIP® configurations.
- ▶ All fittings are also suitable for suction cups B50, B50-2, B50MF, BL50-2, BX52P, D50, F50-2, F50MF, U50-2.
- ▶ Integrated mesh filter as an option, keeps particles away.
- ▶ O-ring seal on straight threads to avoid leakage.
- ▶ Internal and external key handle on most fittings.

### Technical data male thread G and M

Art. No.	Code	Description	Material	Weight g	Volume cm <sup>3</sup>	Temp. range C°	Dimensions (mm)				
							H	H2	D	SW	HEX
9902441	G18M.00	piGRIP® Fitting G1/8" male	Al, NBR	5.0	1.2	-20-90	5	6	19	17	10
9902442	G18M.01	piGRIP® Fitting G1/8" male, with mesh filter	Al, SS, NBR	5.1	1.2		5	6	19	17	10
9902447	G14M.00	piGRIP® Fitting G1/4" male	Al, NBR	12.3	1.6		6	9	28	22	10
9902448	G14M.01	piGRIP® Fitting G1/4" male, with mesh filter	Al, SS, NBR	12.4	1.6		6	9	28	22	10
9902451	G38M.00	piGRIP® Fitting G3/8" male	Al, NBR	13.4	2.1		6	10	28	22	10
9902452	G38M.01	piGRIP® Fitting G3/8" male, with mesh filter	Al, SS, NBR	13.5	2.1		6	10	28	22	10
9902455	G12M.00	piGRIP® Fitting G1/2" male	Al, NBR	16.9	2.2		6	10	28	22	10
9902456	G12M.01	piGRIP® Fitting G1/2" male, with mesh filter	Al, SS, NBR	17.0	2.2		6	10	28	22	10
9902487	MM6M.00	piGRIP® Fitting M6 male	Steel, NBR	14.1	0.9		5	6	19	17	10
9902488	MM6M.01	piGRIP® Fitting M6 male, with mesh filter	Steel, SS, NBR	14.2	0.9		5	6	19	17	10
9902493	MMF8M.00	piGRIP® Fitting M8 x 1 male	Steel, NBR	14.1	1.1		5	6	19	17	10
9902494	MMF8M.01	piGRIP® Fitting M8 x 1 male, with mesh filter	Steel, SS, NBR	14.2	1.1		5	6	19	17	10
9902497	MM10M.00	piGRIP® Fitting M10 male	Al, NBR	6.1	1.4		6	10	19	17	10
9902498	MM10M.01	piGRIP® Fitting M10 male, with mesh filter	Al, SS, NBR	6.2	1.4		6	10	19	17	10
9905743	MM12M.00	piGRIP® Fitting M12 male	Al, NBR	10.2	1.4		6	10	28	10	22
9905744	MM12M.01	piGRIP® Fitting M12 male, with mesh filter	Al, SS, NBR	10.3	1.4		6	10	28	10	22
9902501	MMF14M.00	piGRIP® Fitting M14 x 1 male	Al, NBR	10.3	2.3		6	12	28	22	10
9902502	MMF14M.01	piGRIP® Fitting M14 x 1 male, with mesh filter	Al, SS, NBR	10.4	2.3		6	12	28	22	10
9902505	MMF16M.00	piGRIP® Fitting M16 x 1.5 male	Al, NBR	13.6	2.3		6	12	28	22	10
9902506	MMF16M.01	piGRIP® Fitting M16 x 1.5 male, with mesh filter	Al, SS, NBR	13.7	2.3		6	12	28	22	10

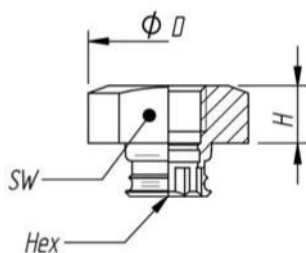


# Suction cups/grippers Fittings



## Technical data female thread

Art. No.	Code	Description	Material	Weight g	Volume cm <sup>3</sup>	Temp. range C°	Dimensions (mm)			
							H	D	SW	HEX
9902445	G14F.00	piGRIP® Fitting G1/4" female	Al	11.7	1.9	-20- 120	10	28	22	10
9902446	G14F.01	piGRIP® Fitting G1/4" female, with mesh filter	Al, SS	11.8	1.9		10	28	22	10
9902449	G38F.00	piGRIP® Fitting G3/8" female	Al	13	3.1		13	28	22	10
9902450	G38F.01	piGRIP® Fitting G3/8" female, with mesh filter	Al, SS	13.1	3.1		13	28	22	10
9902453	G12F.00	piGRIP® Fitting G1/2" female	Al	13.6	4.6		14	28	22	10
9902454	G12F.01	piGRIP® Fitting G1/2" female, with mesh filter	Al, SS	13.7	4.6		14	28	22	10
9902485	MM5F.00	piGRIP® Fitting M5 female	Al	5.3	0.9		6	19	17	10
9902486	MM5F.01	piGRIP® Fitting M5 female, with mesh filter	Al, SS	5.4	0.9		6	19	17	10
9902489	MM6F.00	piGRIP® Fitting M6 female	Al	5.3	1.0		7	19	17	10
9902490	MM6F.01	piGRIP® Fitting M6 female, with mesh filter	Al, SS	5.4	1.0		7	19	17	10
9902491	MM8F.00	piGRIP® Fitting M8 female	Al	5.7	1.1		7	19	17	10
9902492	MM8F.01	piGRIP® Fitting M8 female, with mesh filter	Al, SS	5.8	1.1		7	19	17	10
9902495	MM10F.00	piGRIP® Fitting M10 female	Al	5.7	1.2		7	19	17	10
9902496	MM10F.01	piGRIP® Fitting M10 x 1 female, with mesh filter	Al, SS	5.8	1.2		7	19	17	10
9902499	MM12F.00	piGRIP® Fitting M12 female	Al	16.1	1.8		12	22	10	10
9902500	MM12F.01	piGRIP® Fitting M12 female, with mesh filter	Al, SS	16.2	1.8		12	22	10	10
9902503	MMF16F.00	piGRIP® Fitting M16 x 1.5 female	Al	13.6	2.9		13	22	10	10
9902504	MMF16F.01	piGRIP® Fitting M16 x 1.5 female, with mesh filter	Al, SS	13.7	2.9		13	22	10	10
9902439	NS18F.00	piGRIP® Fitting 1/8" NPSF female	Al	5.2	1.2		7	19	17	10
9902440	NS18F.01	piGRIP® Fitting 1/8" NPSF female, with mesh filter	Al, SS	5.3	1.2		7	19	17	10
9902479	NS14F.00	piGRIP® Fitting 1/4" NPSF female	Al	11.9	1.8		10	28	22	10
9902480	NS14F.01	piGRIP® Fitting 1/4" NPSF female, with mesh filter	Al, SS	12.0	1.8		10	28	22	10
9902481	NS38F.00	piGRIP® Fitting 3/8" NPSF female	Al	13.3	3.0		13	28	22	10
9902482	NS38F.01	piGRIP® Fitting 3/8" NPSF female, with mesh filter	Al, SS	13.4	3.0		13	28	22	10
9902483	NS12F.00	piGRIP® Fitting 1/2" NPSF female	Al	14.3	4.3		14	28	22	10
9902484	NS12F.01	piGRIP® Fitting 1/2" NPSF female, with mesh filter	Al, SS	14.4	4.3		14	28	22	10
9902463	NT14F.00	piGRIP® Fitting 1/4" NPT female	Al	15.6	2.0		12	28	22	10
9902464	NT14F.01	piGRIP® Fitting 1/4" NPT female, with mesh filter	Al, SS	15.7	2.0		12	28	22	10
9902467	NT38F.00	piGRIP® Fitting 3/8" NPT female	Al	13.4	3.0		13	28	22	10
9902468	NT38F.01	piGRIP® Fitting 3/8" NPT female, with mesh filter	Al, SS	13.5	3.0		13	28	22	10
9902507	U12F.00	piGRIP® Fitting 1/2" UNC female	Al	15.9	1.9		12	28	22	10
9902508	U12F.01	piGRIP® Fitting 1/2" UNC female, with mesh filter	Al, SS	16.0	1.9		12	28	22	10

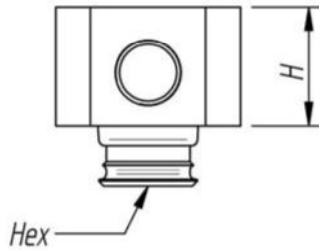


# Suction cups/grippers Fittings



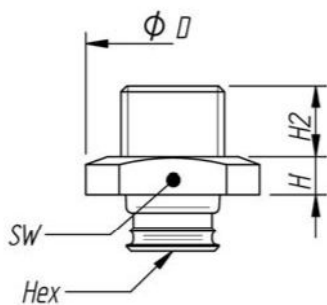
## Technical data female thread 5x

Art. No.	Code	Description	Material	Weight g	Volume cm <sup>3</sup>	Temp. range C°	Dimensions (mm)	
							H	HEX
9902443	NS518F.00	piGRIP® Fitting 5x1/8" NPSF female	Al	27.6	4.3	-20- 120	18	10
9902444	NS518F.01	piGRIP® Fitting 5x1/8" NPSF female, with mesh filter	Al, SS	27.7	4.3		18	10



## Technical data male thread NPT

Art. No.	Code	Description	Material	Weight g	Volume cm <sup>3</sup>	Temp. range C°	Dimensions (mm)				
							H	H2	D	SW	HEX
9902465	NT18M.00	piGRIP® Fitting 1/8" NPT male	Al	5.2	1.2	-20- 120	5	7	19	17	10
9902513	NT18M.01	piGRIP® Fitting 1/8" NPT male, with mesh filter	Al, SS	5.3	1.2		5	7	19	17	10
9902512	NT14M.00	piGRIP® Fitting 1/4" NPT male	Al	11.6	1.7		6	11	28	22	10
9902466	NT14M.01	piGRIP® Fitting 1/4" NPT male, with mesh filter	Al, SS	11.7	1.7		6	11	28	22	10
9902469	NT38M.00	piGRIP® Fitting 3/8" NPT male	Al	12.7	2.3		6	11.5	28	22	10
9902470	NT38M.01	piGRIP® Fitting 3/8" NPT male, with mesh filter	Al, SS	12.8	2.3		6	11.5	28	22	10
9902471	NT12M.00	piGRIP® Fitting 1/2" NPT male	Al	19.3	2.6		6	15	28	22	10
9902472	NT12M.01	piGRIP® Fitting 1/2" NPT male, with mesh filter	Al, SS	19.4	2.6		6	15	28	22	10

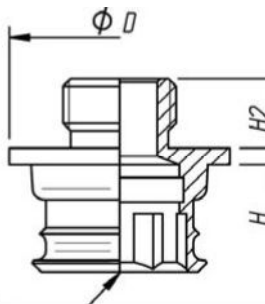


# Combined pump and gripper Small



## Technical data male thread low G and NPT

Art. No.	Code	Description	Material	Weight g	Volume cm <sup>3</sup>	Temp. range C°	Dimensions (mm)			
							H	H2	D	HEX
9902457	GL18M.00	piGRIP® Fitting G1/8" low male	Al	3	1.1	-20- 120	1.5	6	19	10
9902458	GL18M.01	piGRIP® Fitting G1/8" low male, with mesh filter	Al, SS	3.1	1.1		1.5	6	19	10
9902459	GL14M.00	piGRIP® Fitting G1/4" low male	Al	5.5	1.3		1.5	9	28	10
9902460	GL14M.01	piGRIP® Fitting G1/4" low male, with mesh filter	Al, SS	5.6	1.3		1.5	9	28	10
9902461	GL38M.00	piGRIP® Fitting G3/8" low male	Al	6.9	1.8		1.5	10	28	10
9902462	GL38M.01	piGRIP® Fitting G3/8" low male, with mesh filter	Al, SS	7.0	1.8		1.5	10	28	10
9902473	NTL18M.00	piGRIP® Fitting 1/8" NPT low male	Al	3.2	1.1		1.5	7	19	10
9902474	NTL18M.01	piGRIP® Fitting 1/8" NPT low male, with mesh filter	Al, SS	3.3	1.1		1.5	7	19	10
9902475	NTL14M.00	piGRIP® Fitting 1/4" NPT low male	Al	6.2	1.4		1.5	11	28	10
9902476	NTL14M.01	piGRIP® Fitting 1/4" NPT low male, with mesh filter	Al, SS	6.3	1.4		1.5	11	28	10
9902477	NTL38M.00	piGRIP® Fitting 3/8" NPT low male	Al	7.7	1.9		1.5	11.5	28	10
9902478	NTL38M.01	piGRIP® Fitting 3/8" NPT low male, with mesh filter	Al, SS	7.8	1.9		1.5	11.5	28	10



## COAX® in piGRIP®



- ▶ Fully decentralized vacuum unit based on patented COAX® technology.
- ▶ Quickest response time and very high energy efficiency.
- ▶ Easy system dimensioning – small risk for mistakes.
- ▶ Available with a variation of two-stage COAX® MICRO cartridges.
- ▶ Suitable for high vacuum flow.
- ▶ Suitable for extra capacity/dirt tolerance.

### Technical data

Description	Unit	Value
Feed pressure, max.	MPa	0.7
Noise level	dBA	55–61
Temperature range	°C	-10–80
Weight	g	45
Material		Al, PA, NBR, CuZn
Connection, Feed pressure (oD)	mm	Ø4
Connection, Vacuum	inch	G1/8"
Connection, Exhaust (iD)	mm	Ø8

### Vacuum flow

COAX® cartridge	Feed pressure* MPa	Air consumption NI/s	Vacuum flow (NI/s) at different vacuum levels (-kPa)									Max vacuum -kPa
			0	10	20	30	40	50	60	70	80	
Si	0.6	0.12	0.28	0.21	0.12	0.08	0.07	0.06	0.04	0.02	—	75
Xi	0.5	0.13	0.24	0.17	0.10	0.06	0.04	0.03	0.02	0.01	0.01	92
Ti	0.4	0.27	0.32	0.28	0.23	0.17	0.10	0.07	0.04	0.02	0.004	84
Ti	0.6	0.37	0.31	0.27	0.24	0.20	0.15	0.09	0.04	0.01	—	75

For vacuum flows at other feed pressures, see COAX® cartridge data sheets. \*Feed pressure tolerance, +/- 0.01 MPa

### Evacuation time

COAX® cartridge	Feed pressure* MPa	Air consumption NI/s	Evacuation time (s/l) to reach different vacuum levels (-kPa)								Max vacuum -kPa
			10	20	30	40	50	60	70	80	
Si	0.6	0.12	0.41	1.01	2.01	3.30	4.90	6.90	10.2	—	75
Xi	0.5	0.13	0.49	1.23	2.48	4.50	7.30	11.3	18.0	28.0	92
Ti	0.4	0.27	0.33	0.73	1.20	2.00	3.10	5.00	8.30	16.6	84
Ti	0.6	0.37	0.30	0.70	1.20	1.80	2.60	4.20	8.43	—	75

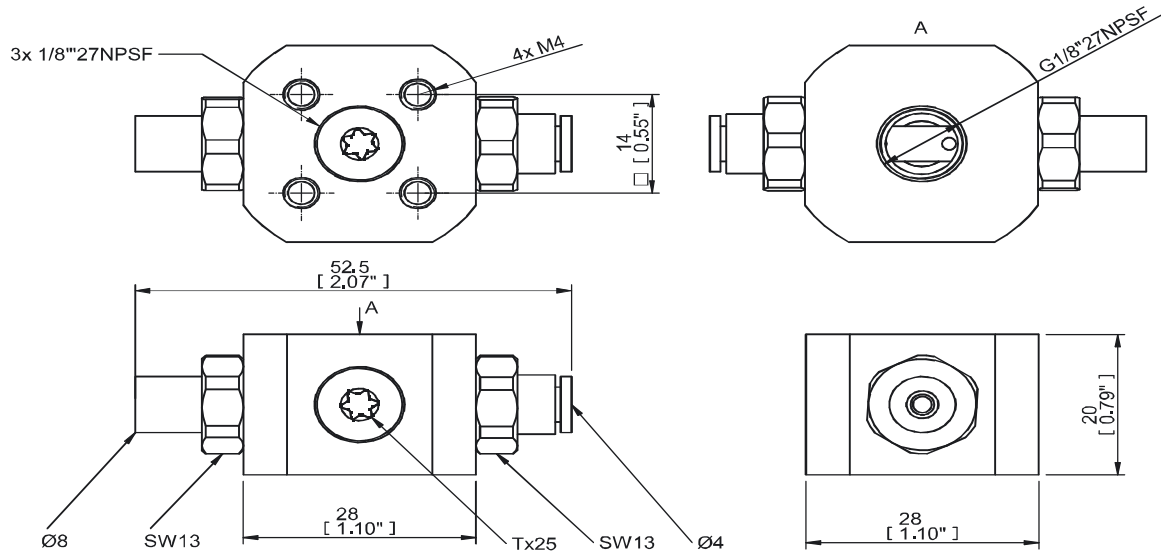
For evacuation times at other feed pressures, see COAX® cartridge data sheets. \*Feed pressure tolerance, +/- 0.01 MPa

# Suction cups/grippers Fittings



## Ordering information

Description	Art. No.
COAX® in piGRIP® Xi	0200344
COAX® in piGRIP® Si	0200345
COAX® in piGRIP® Ti	0200346



## Ordering information, accessories

Description	Art. No.
4x M4 top, flush mount	0106915
M8 16 mm	0106927
M8 27 mm, profile kit	0106949
M6 22 mm, profile kit	0108488

## Push-on fitting



- ▶ Push-on style fittings most suitable for size 25-55 piGRIP® cups. For size 70-77 piGRIP® cups, contact Piab.
- ▶ Available in three sizes for tubes/pipes with diameter 8mm, 10mm and 11mm.
- ▶ Allow a few +/- tenths of a tolerance deviation of the tube/pipe.
- ▶ Purchased and installed once. After installation, replace only the piGRIP® cup.
- ▶ Easy installation with the possibility of minor height adjustment.
- ▶ Adds virtually no build-height to the piGRIP® cup.

### Technical data

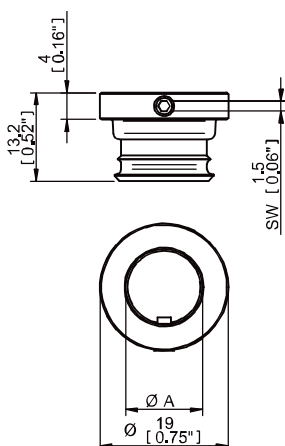
Description	Unit	Value
Material		Al, SS, NBR
Temperature range	°C	-20-90

### Technical data, specific

Description	Unit	Value		
		0125933	0125932	0125931
Weight	g	4.8	3.7	3.1
Volume, internal	cm <sup>3</sup>	0.67	1.03	1.23
Connection (A), push-on tube size	mm	ø8	ø10	ø11

### Ordering information

Description	Art. No.
Fitting CAT3-5 Push on retrofit 8	0125933
Fitting CAT3-5 Push on retrofit 10	0125932
Fitting CAT3-5 Push on retrofit 11	0125931



## Fitting 75



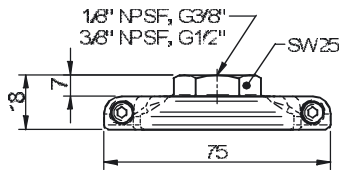
- ▶ **Suits suction cups:**  
B75, B75P, B75-2, F75, F75P, FC100P
- ▶ **With cone valve only for:**  
F75

### Technical data

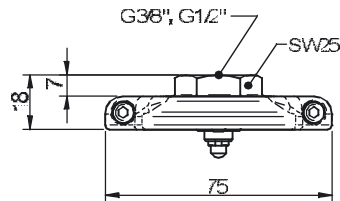
Description	Unit	Value	
		With mesh filter	With cone valve
Weight	g	70	75
Working temperature	°C	-20-120	-20-90
Material		Al/SS	Al/SS/NBR

### Ordering information

	Description	Art. No.
A	Fitting 75, G3/8" female, with mesh filter	0100551
B	Fitting 75, G3/8" female, with cone valve	0100552
A	Fitting 75, G1/2" female, with mesh filter	0100555
B	Fitting 75, G1/2" female, with cone valve	0100556
A	Fitting 75, 3/8" NPSF female, with mesh filter	0100553
A	Fitting 75, 1/8" NPSF female, with mesh filter	0100548



A



B



## Fitting 110



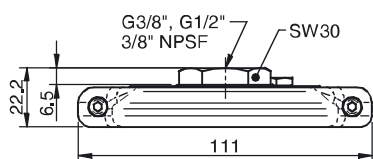
- ▶ Suits suction cups:  
B110, B110-2, F110P, F110, FC150P
- ▶ With cone valve only for:  
F110

### Technical data

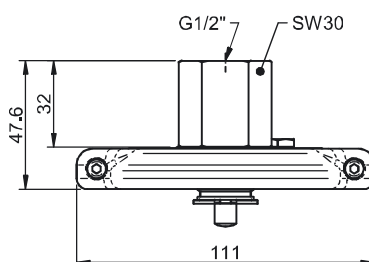
Description	Unit	Value	
		With mesh filter	With cone valve
Weight	g	240	290
Working temperature	°C	-20-90	-20-90
Material		Al/SS/CuZn/NBR	Al/SS/CuZn/NBR

### Ordering information

	Description	Art. No.
A	Fitting 110 G3/8" female, with mesh filter	0100557
A	Fitting 110, G1/2" female, with mesh filter	0100561
B	Fitting 110, G1/2" female, with cone valve	0100563
A	Fitting 110, 3/8" NPSF female, with mesh filter	0100559



A



B

## Fitting 150



### Features

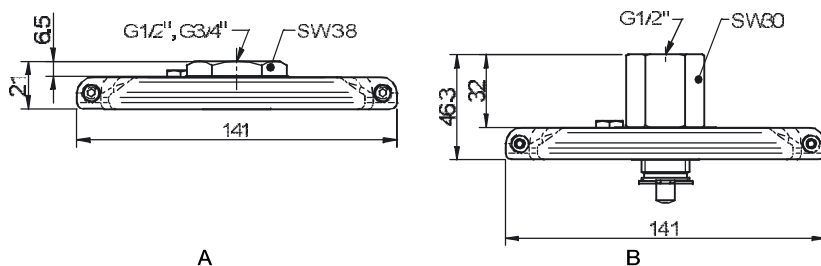
- ▶ Suits suction cups:  
B150, F150
- ▶ With cone valve only for:  
F150

### Technical data

Description	Unit	Value	
		With mesh filter	With cone valve
Weight	g	355	415
Working temperature	°C	-20-90	-20-90
Material		Al/SS/CuZn/NBR	Al/SS/CuZn/NBR

### Ordering information

	Description	Art. No.
A	Fitting 150, G1/2" female, with mesh filter	0100564
B	Fitting 150, G1/2" female, with cone valve	0100566
A	Fitting 150, G3/4" female, with mesh filter	0100567



## M2.5 male



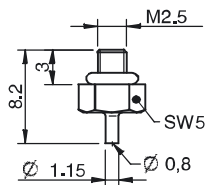
► Suits suction cups:  
U2, U3

### Technical data

Description	Unit	Value
Weight	g	0.5
Working temperature	°C	-20-90
Material		CuZn/NBR

### Ordering information

Description	Art. No.
Fitting M2.5 male	3250084



## M5 male



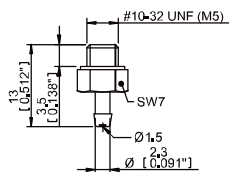
► Suits suction cups:  
B5, B8, U4, U6, U8

### Technical data

Description	Unit	Value
Weight	g	3
Working temperature	°C	-40-110
Material		CuZn/PA

### Ordering information

Description	Art. No.
Fitting M5 male, 5-8	3107031



## M5 male



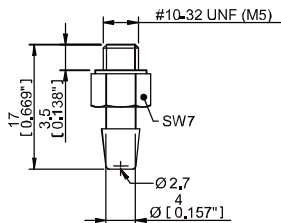
- Suits suction cups:  
B10-2, B15-2, B15MF, D15-2, F15, F15MF, U10, U15

### Technical data

Description	Unit	Value
Weight	g	4
Working temperature	°C	-40-110
Material		CuZn/PA

### Ordering information

Description	Art. No.
Fitting M5 male, 10-15	3107030



## M5 female



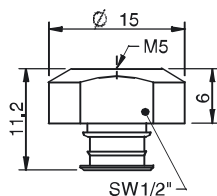
- Suits suction cups:  
B20, B20MF, BL20-2, D20-2, F20, F20MF, U20, F25, FC20P, FC25P, D30-2, F30-2, U30

### Technical data

Description	Unit	Value	
		Without valve	With dual flow control valve
Weight	g	3	3
Working temperature	°C	-20-120	0-80
Material		Al	Al/PUR

### Ordering information

Description	Art. No.
Fitting M5 female	3250003
Fitting M5 female, with dual flow control valve	3251001



## G1/8" male



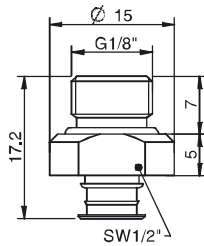
- ▶ **Suits suction cups:**  
B20, B20MF, D20-2, F20, F20MF,  
U20, F25, FC20P, FC25P,  
D30-2, F30-2, U30

### Technical data

Description	Unit	Value	
		With mesh filter	With dual flow control valve
Weight	g	3	3
Working temperature	°C	-20-90	0-80
Material		Al/SS/NBR	Al/SS/NBR/PUR

### Ordering information

Description	Art. No.
Fitting G1/8" male, with mesh filter	3250085
Fitting G1/8" male, with mesh filter and dual flow control valve	3251002



## G1/8" male / M5 female



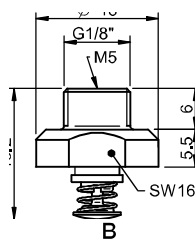
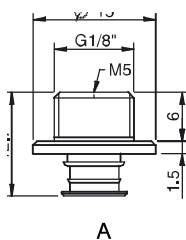
- ▶ **Suits suction cups:**  
B20, B20MF, BL20-2, D20-2, F20,  
F20MF, U20, F25, FC20P,  
FC25P, D30-2, F30-2, U30
- ▶ **With cone valve only for:**  
F30-2

### Technical data

Description	Unit	Value		
		With mesh filter	With dual flow control valve	With cone valve
Weight	g	2	2	4
Working temperature	°C	-20-120	0-80	-20-90
Material		Al/SS	Al/PUR	Al/SS/NBR

### Ordering information

	Description	Art. No.
A	Fitting G1/8" male/M5 female, with mesh filter	0101152
A	Fitting G1/8" male/M5 female, with dual flow control valve	3251004
B	Fitting G1/8" male/M5 female, with cone valve	0101155



## G1/8" male / M5 female – Composite



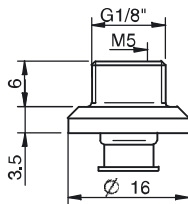
- ▶ Made of PA (Polyamide).
- ▶ Can be used on a number of Piab's suction cups in sizes from 20 to 50 mm.
- ▶ The weight of the composite fittings is approximately half the weight of corresponding fittings of aluminium.
- ▶ The fittings are durable and resistant to the most common acids and chemicals. They can be used in applications where aluminium cannot be used due to environmental issues, for example, in the chemical industry and the food industry.
- ▶ **Suits suction cups:** B20, BL20-2, D20-2, D30-2, F20, F25, F30-2, U20, U30

### Technical data

Description	Unit	Value
Weight	g	1.7
Working temperature	°C	-20-110
Material		PA composite

### Ordering information

Description	Art. No.
Fitting G1/8" male/M5 female, PA	3150196



## G1/8" male with mesh filter



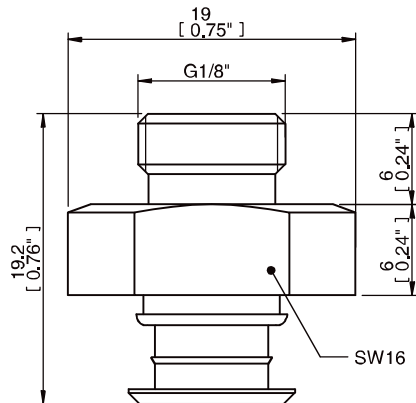
► Suits suction cup:  
BX35P

### Technical data

Description	Unit	Value
Weight	g	5
Working temperature	°C	-20-90
Material		Al/SS/NBR

### Ordering information

Description	Art. No.
Fitting G1/8" male, 40, with mesh filter	0200714



## G1/8" male with mesh filter



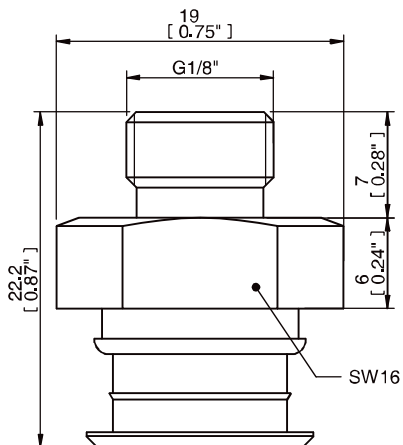
► Suits suction cup:  
BX52P

### Technical data

Description	Unit	Value
Weight	g	5.5
Working temperature	°C	-20-90
Material		Al/SS/NBR

### Ordering information

Description	Art. No.
Fitting G1/8" male, 50, with mesh filter	0200715





## 1/8" NPSF female



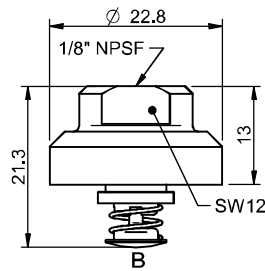
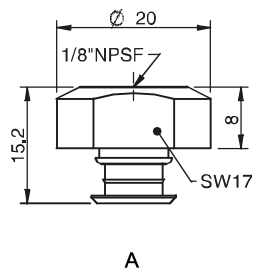
- ▶ **Suits suction cups:**  
B30-2, BL30-2, B40,  
BL40-2, F40-2, U40-2, FC35P
- ▶ **With cone valve only for:**  
F40-2
- ▶ **Without mesh filter for:**  
BX35P

### Technical data

Description	Unit	Value			
		Without mesh filter	With mesh filter	With dual flow control valve	With cone valve
Weight	g	6	6	6	7
Working temperature	°C	-20-120	-20-120	0-80	-20-90
Material		Al	Al/SS	Al/PUR	Al/SS/NBR

### Ordering information

	Description	Art. No.
A	Fitting 1/8" NPSF female, 30-40	3250005
A	Fitting 1/8" NPSF female, 30-40, with mesh filter	0101153
A	Fitting 1/8" NPSF female, 30-40, with dual flow control valve	3251006
B	Fitting 1/8" NPSF female, 30-40, with cone valve	0101156



## 1/8" NPSF female



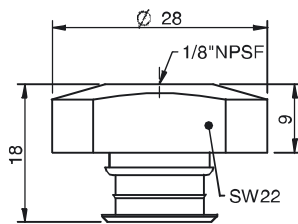
- ▶ **Suits suction cups:**  
B50, B50-2, BX52P, BL50-2, D50, F50-2, U50-2
- ▶ **With cone valve only for:**  
F50-2
- ▶ **Without mesh filter for:**
- ▶ BX52P

### Technical data

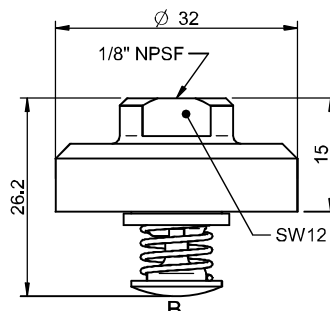
Description	Unit	Value			
		Without mesh filter	With mesh filter	With dual flow control valve	With cone valve
Weight	g	10	10	10	15
Working temperature	°C	-20-120	-20-120	0-80	-20-90
Material		Al	Al/SS	Al/PUR	Al/SS/NBR

### Ordering information

	Description	Art. No.
A	Fitting 1/8" NPSF female, 50	3250017
A	Fitting 1/8" NPSF female, 50, with mesh filter	0101154
A	Fitting 1/8" NPSF female, 50, with dual flow control valve	3251012
B	Fitting 1/8" NPSF female, 50, with cone valve	0101157



A



B

## 1/8" NPSF female – Composite



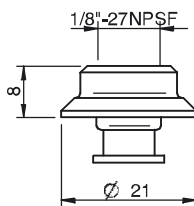
- ▶ Made of PA (Polyamide).
- ▶ Can be used on a number of Piab's suction cups in sizes from 20 to 50 mm.
- ▶ The weight of the composite fittings is approximately half the weight of corresponding fittings of aluminium.
- ▶ The fittings are durable and resistant to the most common acids and chemicals. They can be used in applications where aluminium cannot be used due to environmental issues, for example, in the chemical industry and the food industry.
- ▶ **Suits suction cups:** B30-2, B40, BL30-2, BL40-2, F40-2, U40-2

### Technical data

Description	Unit	Value
Weight	g	2.4
Working temperature	°C	-20–110
Material		PA composite

### Ordering information

Description	Art. No.
Fitting 1/8" NPSF female, 30–40, PA	3150197



## 1/8" NPSF female – Composite



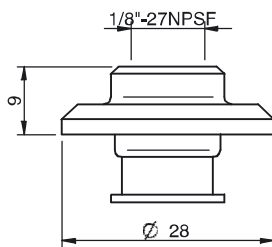
- ▶ Made of PA (Polyamide).
- ▶ Can be used on a number of Piab's suction cups in sizes from 20 to 50 mm.
- ▶ The weight of the composite fittings is approximately half the weight of corresponding fittings of aluminium.
- ▶ The fittings are durable and resistant to the most common acids and chemicals. They can be used in applications where aluminium cannot be used due to environmental issues, for example, in the chemical industry and the food industry.
- ▶ **Suits suction cups:** B50, B50-2, BL50-2, B50MF, D50, F50-2, U50-2

### Technical data

Description	Unit	Value
Weight	g	5.6
Working temperature	°C	-20–110
Material		PA composite

### Ordering information

Description	Art. No.
Fitting 1/8" NPSF female, 50, PA	3150198



## G1/4" male with mesh filter



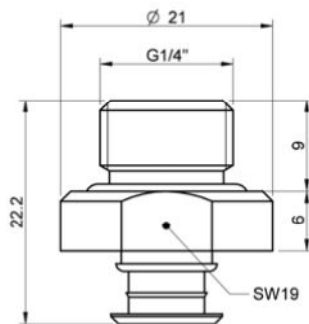
- ▶ Suits suction cups:  
B30-2, BL30-2, B40,  
BX35P, BL40-2, F40-2,  
U40-2, FC35P

### Technical data

Description	Unit	Value	
		With mesh filter	With dual flow control valve
Weight	g	7	7
Working temperature	°C	-20-90	0-80
Material		Al/SS/NBR	Al/SS/NBR/PUR

### Ordering information

Description	Art. No.
Fitting G1/4" male, 30-40, with mesh filter	3250091
Fitting G1/4" male, 30-40, with mesh filter and dual flow control valve	3251007



## G1/4" male with mesh filter



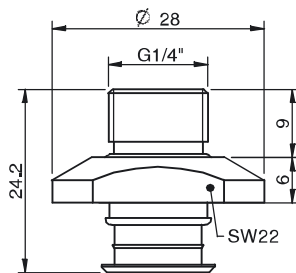
- ▶ Suits suction cups:  
B50, B50-2, BX52P,  
BL50-2, D50, F50-2, U50-2

### Technical data

Description	Unit	Value	
		With mesh filter	With dual flow control valve
Weight	g	10	10
Working temperature	°C	-20-90	0-80
Material		Al/SS/NBR	Al/SS/NBR/PUR

### Ordering information

Description	Art. No.
Fitting G1/4" male, 50, with mesh filter	3250092
Fitting G1/4" male, with mesh filter and dual flow control valve	3251013



## G1/2" male



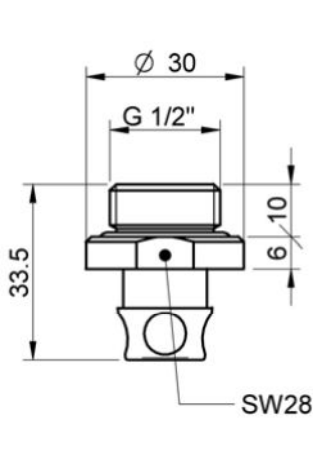
► Suits suction cup:  
BL50-3P

### Technical data

Description	Unit	Value
Weight	g	14
Working temperature	°C	-20-90
Material		AI/NBR

### Ordering information

Description	Art. No.
Fitting G1/2" male, bag	0113117



## 1/2" NPT male



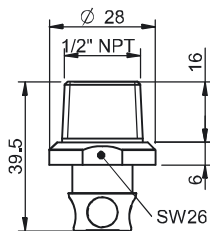
► Suits suction cup:  
BL50-3P

### Technical data

Description	Unit	Value
Weight	g	17
Working temperature	°C	-20-90
Material		Al

### Ordering information

Description	Art. No.
Fitting 1/2" NPT male, bag	0113140





## G3/8" male with mesh filter



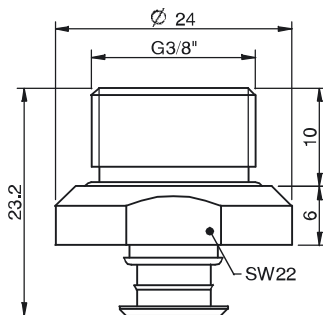
- ▶ **Suits suction cups:**  
 B30-2, BL30-2, B40,  
 BX35P, BL40-2, F40-2,  
 U40-2, FC35P

### Technical data

Description	Unit	Value	
		With mesh filter	With dual flow control valve
Weight	g	10	10
Working temperature	°C	-20-90	0-80
Material		Al/SS/NBR	Al/SS/NBR/PUR

### Ordering information

Description	Art. No.
Fitting G3/8" male, 30-40, with mesh filter	3250086
Fitting G3/8" male, 30-40, with mesh and dual flow control valve	3251009



## G3/8" male with mesh filter



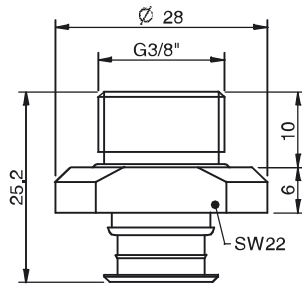
- ▶ Suits suction cups:  
B50, B50-2, BL50-2, D50,  
F50-2, U50-2

### Technical data

Description	Unit	Value	
		With mesh filter	With dual flow control valve
Weight	g	10	10
Working temperature	°C	-20-90	0-80
Material		Al/SS/NBR	Al/SS/NBR/PUR

### Ordering information

Description	Art. No.
Fitting G3/8" male, 50, with mesh filter	3250087
Fitting G3/8" male, 50, with mesh filter and dual flow control valve	3251015



## G3/8" male



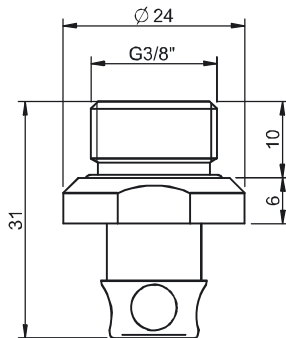
► Suits suction cup:  
BL30-3P, BL40-3P

### Technical data

Description	Unit	Value
Weight	g	12
Working temperature	°C	-20-90
Material		Al/NBR

### Ordering information

Description	Art. No.
Fitting G3/8" male, bag	0112662



## 3/8" NPT male



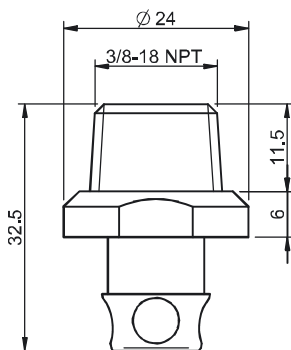
► Suits suction cup:  
BL30-3P, BL40-3P

### Technical data

Description	Unit	Value
Weight	g	12
Working temperature	°C	-20-120
Material		Al

### Ordering information

Description	Art. No.
Fitting 3/8" NPT male, bag	0112692



## 5xM5 female



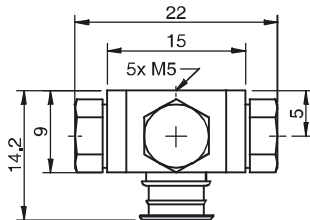
- **Suits suction cups:**  
 B20, B20MF, BL20-2, D20-2, F20,  
 F20MF, U20, F25, FC20P,  
 FC25P, D30-2, F30-2, U30

### Technical data

Description	Unit	Value	
		With mesh filter	With dual flow control valve
Weight	g	10	10
Working temperature	°C	-20-120	0-80
Material		Al/CuZn/PA	Al/CuZn/PA/PUR

### Ordering information

Description	Art. No.
Fitting 5xM5 female	0100260
Fitting 5xM5 female, with dual flow control valve	3251005



## 5x1/8" NPSF female



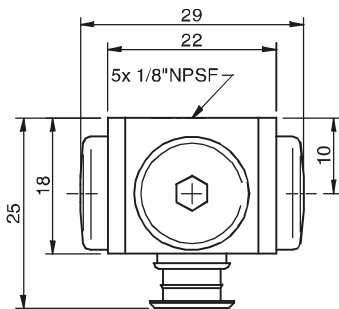
- ▶ **Suits suction cups:**  
 B30-2, BL30-2, B40,  
 BX35P, BL40-2, F40-2,  
 U40-2, FC35P

### Technical data

Description	Unit	Value	
		With mesh filter	With dual flow control valve
Weight	g	20	20
Working temperature	°C	-20-90	0-80
Material		Al/PPS/NBR	Al/PPS/NBR/PUR

### Ordering information

Description	Art. No.
Fitting 5x1/8" NPSF female, 30-40	0100261
Fitting 5x1/8" NPSF female, 30-40, with dual flow control valve	3251011



## 5x1/8" NPSF female



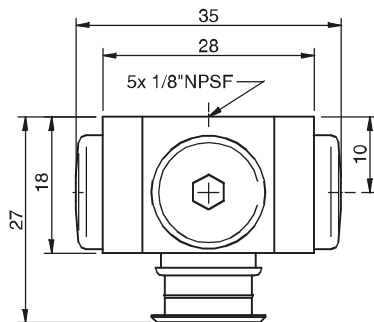
- ▶ Suits suction cups:  
B50, B50-2, BX52P,  
BL50-2, D50, F50-2, U50-2

### Technical data

Description	Unit	Value	
		With mesh filter	With dual flow control valve
Weight	g	30	30
Working temperature	°C	-20-90	0-80
Material		Al/PPS/NBR	Al/PPS/NBR/PUR

### Ordering information

Description	Art. No.
Fitting 5x1/8" NPSF female, 50	0100262
Fitting 5x1/8" NPSF female, 50, with dual flow control valve	3251017



## Angle adaptors



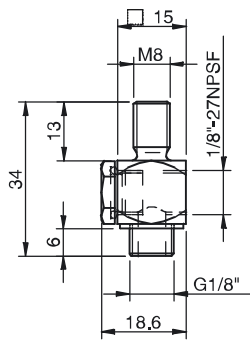
- ▶ Angle adaptors facilitate vacuum connections when space and headroom are limited.
- ▶ Can also be used as T-connectors.

### Technical data

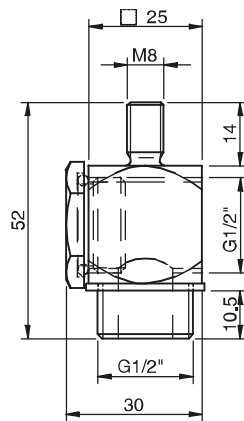
Description	Unit	Value	
		G1/8" – M8	G1/2" –M8
Weight	g	20	120
Temperature range	°C	-40–110	-40–110
Material		CuZn/NBR/PA	SS/NBR/PA

### Ordering information

	Description	Art. No.
A	Angle adapter G1/8"–M8	3150053
B	Angle adapter G1/2"–M8	3150054



A



B



## T-slot adapters



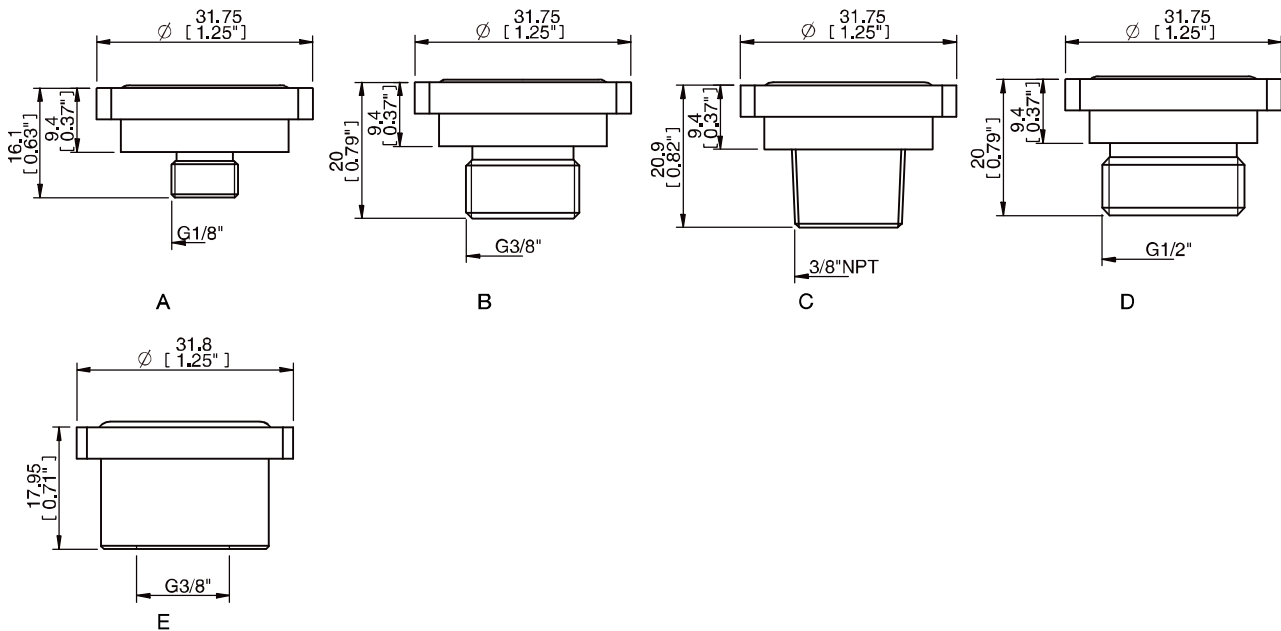
- ▶ The Piab T-slot adapter enables Piab suction cups to mount to existing boom assemblies and end-of-arm tooling used in the automotive industry. The T-slot adapter threads into the Piab cup fitting and can then be mounted accordingly.
- ▶ The suction cups can be changed quickly and with great ease.
- ▶ Non-rotating feature — good when using oval suction cups.

### Technical data

Description	Unit	Value
Weight	g	17–22
Working temperature	°C	-20–90
Material		Al/NBR

### Ordering information

	Description	Art. No.
A	T-slot adapter G1/8" male	0104108
B	T-slot adapter G3/8" male	0104110
C	T-slot adapter 3/8" NPT	0104111
D	T-slot adapter G1/2" male	0104112
E	T-slot adapter G3/8" female	0107942



piSAVE release



- ▶ Equalises pressure in the suction cups to provide fast release of the product.
- ▶ Extra fast release by accumulating and utilising the feed-air pressure as a boost.
- ▶ ON/OFF activated simultaneously with the ejector.
- ▶ No additional controls required — use a single 3/2 control valve for the ejector and piSAVE release.

Technical data

Description	Unit	Value
Feed pressure, range	MPa	0.3–0.7
Material		Al, SS, NBR
Temperature range	°C	0–50
Weight	g	47
Connection, compressed air		G1/8"
Dimension, WxDxH	mm	26x26x37,3

Technical data, specific

Description	Unit	Value	
		0119721	0119720
Connection, vacuum		G1/8"	G1/4"
Flow, atmospheric	NI/s	3.85	7.85

Ordering information

	Description	Art. No.
A	piSAVE release G1/8"	0119721
B	piSAVE release G1/4"	0119720

