

Master valve single unit/manifold (metal base)
Body piping

(M)3GA1/2/3 / (M)4GA1/2/3 Series

● Cylinder bore size: $\phi 20$ to $\phi 100$



4GA/B
M4GA/B
MN4GA/B
4GA/B (mastr)
4GD/E
M4GD/E
MN4GD/E
4GA4/B4
MN3E
MN4E
W4GA/B2
W4GB4
4TB
4L2-4/
LMF0
MN3S0
MN4S0
4SA/B0
4KA/B
4KA/B (mastr)
4F
4F (mastr)
PV5G
GMF
PV5
GMF
PV5S-0
3QR
3QB
MV3QR
3MA/B0
3PA/B
P/M/B
NP/NAP/
NVP
4F*0EX
4F*0E
HNV
HSV
2QV
3QV
SKH
PCD
Silencer
TotAirSys
(Total Air)
TotAirSys
(Gamma)
Ending

Common specifications

Descriptions	Content
Valve and operation	Pilot operated soft spool valve
Working fluid	Compressed air
Max. working pressure MPa	0.7 (≈ 100 psi, 7 bar)
Min. working pressure *1 MPa	Refer to main pressure section in the table below
Proof pressure MPa	1.05 (≈ 150 psi, 10.5 bar)
Ambient temperature $^{\circ}\text{C}$	-5 (23 $^{\circ}\text{F}$) to 55 (131 $^{\circ}\text{F}$) (no freezing)
Fluid temperature $^{\circ}\text{C}$	5 (41 $^{\circ}\text{F}$) to 55 (131 $^{\circ}\text{F}$)
Manual override	Non-locking/locking common
Pilot exhaust method (manual operation)	Main valve/pilot valve common exhaust
Lubrication *2	Not required
Degree of protection *3	Dust-proof
Vibration resistance m/s^2	50 or less
Shock resistance m/s^2	300 or less
Atmosphere	Cannot be used in corrosive gas environments

*1: When operating manually, supply pressure to the P-port as shown in the table below is required.

2-position 0.1 MPa and over
3-position 0.2 MPa and over

*2: Use turbine oil Class 1 ISO VG32 for lubrication.

Excessive or intermittent lubrication results in unstable operation.

*3: Avoid water drops or oil, etc., during use.

Individual specifications

Body piping (discrete/manifold)

1 MPa \approx 145.0 psi, 1 MPa = 10 bar

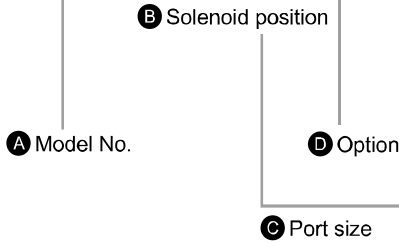
No. of ports	Model No.		Solenoid position	Pilot port PA/PB	Main pressure	Pilot signal pressure MPa	Other specification pages Note
	Single unit	Manifold					
3-port	3GA1**1R	M3GA1**1R	2-position single NC/NO	M5	0.2 to 0.7	(0.6 \times main pressure + 0.06) to 0.7	Single unit: Page 12 Manifold: Page 96
	3GA2**1R	M3GA2**1R					
	3GA3**1R	M3GA3**1R					
5-port	4GA111R	M4GA111R	2-position single	M5	0.2 to 0.7	(0.6 \times main pressure + 0.06) to 0.7	
	4GA121R	M4GA121R	2-position double				
	4GA1 $\frac{2}{5}$ 1R	M4GA1 $\frac{2}{5}$ 1R	3-position	M5	0.2 to 0.7	(0.6 \times main pressure + 0.06) to 0.7	
	4GA211R	M4GA211R	2-position single				
	4GA221R	M4GA221R	2-position double	M5	0.2 to 0.7	(0.6 \times main pressure + 0.06) to 0.7	
	4GA2 $\frac{2}{5}$ 1R	M4GA2 $\frac{2}{5}$ 1R	3-position				
	4GA311R	M4GA311R	2-position single				
4GA321R	M4GA321R	2-position double					
4GA3 $\frac{2}{5}$ 1R	M4GA3 $\frac{2}{5}$ 1R	3-position					

Note Other specifications are the same as those of 4G series. Refer to pages for each specification.

How to order

Discrete master valve

4GA2 **1** **1R** - **C4** - **H**



⚠ Precautions for model No. selection

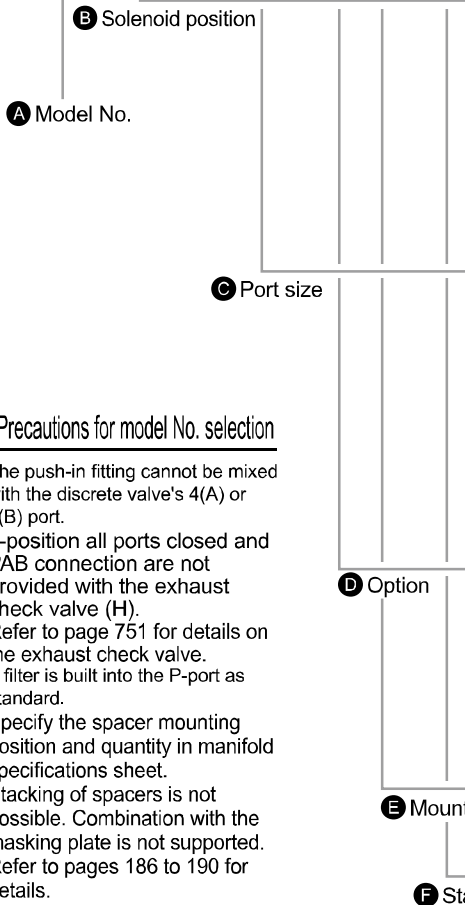
- *1 : For the 3GA normally closed, the piping connection 2 (B) and 3 (R2) ports are plugged.
For 3GA normally open, avoid plugging the 5 (R1) port. Otherwise, malfunctions may result.
- *2 : 3-position all ports closed and PAB connection are not provided with the exhaust check valve (H). Refer to page 751 for details on the exhaust check valve.
- *3 : For option code P, products other than single cannot be normally mounted because of the pilot port direction.
- *4 : A filter is built into the P-port as standard.

Manifold

M **4GA2** **1** **1R** - **C4** - **H** **D** - **8**

Discrete master valve for manifold (gasket, set screw, PR check valve attached)

4GA2 **1** **8R** - **C4** - **H**



⚠ Precautions for model No. selection

- *1 : The push-in fitting cannot be mixed with the discrete valve's 4(A) or 2(B) port.
- *2 : 3-position all ports closed and PAB connection are not provided with the exhaust check valve (H). Refer to page 751 for details on the exhaust check valve.
- *3 : A filter is built into the P-port as standard.
- *4 : Specify the spacer mounting position and quantity in manifold specifications sheet. Stacking of spacers is not possible. Combination with the masking plate is not supported. Refer to pages 186 to 190 for details.
- *5 : The master valve for manifold cannot be selected as a discrete valve.

		A Model No.					
		3GA1	3GA2	3GA3	4GA1	4GA2	4GA3
Code	Content						
B Solenoid position							
1	2-position single				●	●	●
2	2-position double				●	●	●
3	3-position all ports closed				●	●	●
4	3-position ABR connection				●	●	●
5	3-position PAB connection				●	●	●
1	2-position single normally closed *1	●	●	●			
11	2-position single normally open *1	●	●	●			
C Port size							
Port	A/B Port	P/R1/R2 port ①=M5 ②=Rc1/8 ③=Rc1/4					
C4	φ4 Push-in fitting	①	②		①	②	
C6	φ6 Push-in fitting	①	②	③	①	②	③
C8	φ8 Push-in fitting		②	③		②	③
C10	φ10 Push-in fitting			③			③
M5	M5	①			①		
06	Rc1/8		②			②	
08	Rc1/4			③			③
D Option							
Blank	None	●	●	●	●	●	●
H	With exhaust check valve *2	●	●	●	●	●	●
P	With mounting plate *3	●	●	●	●	●	●
A	Ozone/coolant proof product	●	●	●	●	●	●
F	A/B-port filter built in *4	●	●	●	●	●	●

		A Model No.					
		M3GA1	M3GA2	M3GA3	M4GA1	M4GA2	M4GA3
Code	Content						
B Solenoid position							
1	2-position single				●	●	●
2	2-position double				●	●	●
3	3-position all ports closed				●	●	●
4	3-position ABR connection				●	●	●
5	3-position PAB connection				●	●	●
1	2-position single normally closed	●	●	●			
11	2-position single normally open	●	●	●			
8	Mix manifold (when there are multiple solenoid positions)	●	●	●	●	●	●
C Port size							
Port	A/B Port	P/R1/R2 port ②=Rc1/8 ③=Rc1/4 ④=Rc3/8					
C4	φ4 Push-in fitting	②	③		②	③	
C6	φ6 Push-in fitting	②	③	④	②	③	④
C8	φ8 Push-in fitting		③	④		③	④
C10	φ10 Push-in fitting			④			④
CX	Push-in fitting mix *1	②	③	④	②	③	④
M5	M5	②			②		
06	Rc1/8		③			③	
08	Rc1/4			④			④
D Option							
Blank	None	●	●	●	●	●	●
H	With exhaust check valve *2	●	●	●	●	●	●
A	Ozone/coolant proof product	●	●	●	●	●	●
F	A/B-port filter built in *3	●	●	●	●	●	●
Z1	Air supply spacer *4/*5	●	●	●	●	●	●
Z2	In-stop valve spacer *4/*5	●	●	●	●	●	●
Z3	Exhaust spacer *4/*5	●	●	●	●	●	●
E Mount							
Blank	Direct mount	●	●	●	●	●	●
D	DIN rail mount	●	●	●	●	●	●
F Station No.							
2	2 stations						
to	to						
20	Refer to page 96 for the max. station number per model.	●	●	●	●	●	●

- 4GA/B
- M4GA/B
- MN4GA/B
- 4GA/B (mastr)
- 4GD/E
- M4GD/E
- MN4GD/E
- 4GA4/B4
- MN3E
- MN4E
- W4GA/B2
- W4GB4
- 4TB
- 4L2-4/LMF0
- MN3S0
- MN4S0
- 4SA/B0
- 4KA/B
- 4KA/B (mastr)
- 4F
- 4F (mastr)
- PV5G
- GMF
- PV5
- GMF
- PV5S-0
- 3QR
- 3QB
- MV3QR
- 3MA/B0
- 3PA/B
- P/M/B
- NP/NAP/NVP
- 4F*0EX
- 4F*0E
- HMV
- HSV
- 2QV
- 3QV
- SKH
- PCD
- Silencer
- TotAirSys (Total Air)
- TotAirSys (Gamma)
- Ending

4GA Series

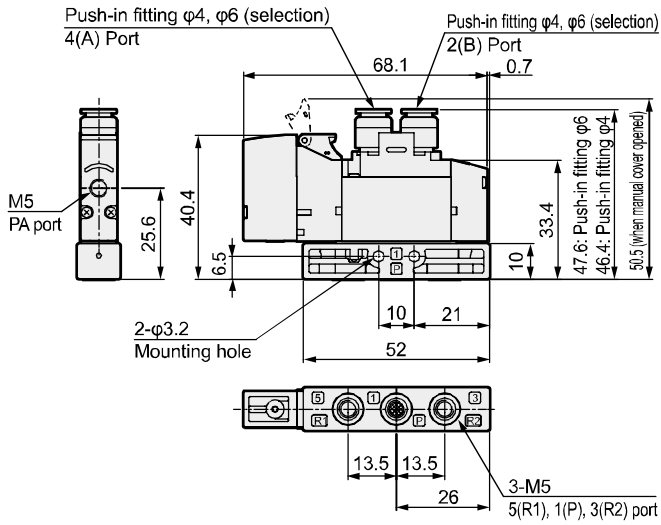
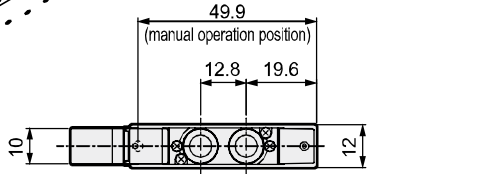
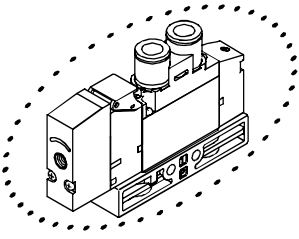
Single master valve; body piping

Dimensions 

- 4GA/B
- M4GA/B
- MN4GA/B
- 4GA/B (mastr)
- 4GD/E
- M4GD/E
- MN4GD/E
- 4GA4/B4
- MN3E
- MN4E
- W4GA/B2
- W4GB4
- 4TB
- 4L2-4/ LMF0
- MN3S0
- MN4S0
- 4SA/B0
- 4KA/B
- 4KA/B (mastr)
- 4F
- 4F (mastr)
- PV5G
- GMF
- PV5
- GMF
- PV5S-0
- 3QR
- 3QB
- MV3QR
- 3MA/B0
- 3PA/B
- P/M/B
- NP/NAP/ NVP
- 4F*0EX
- 4F*0E
- HMV
- HSV
- 2QV
- 3QV
- SKH
- PCD
- Silencer
- TotAirSys (Total Air)
- TotAirSys (Gamma)
- Ending

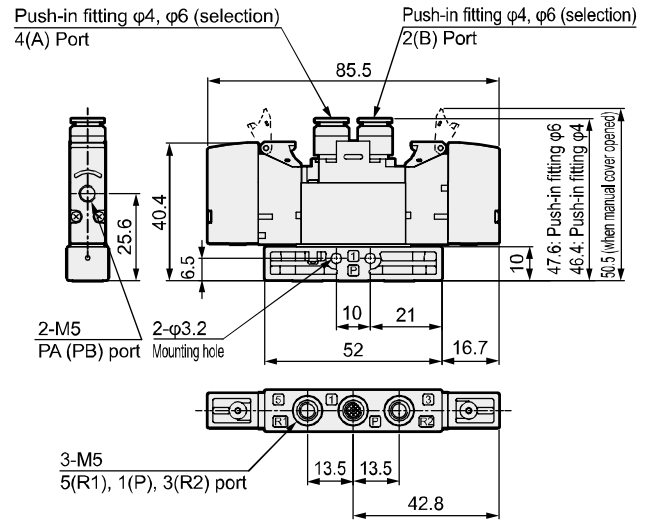
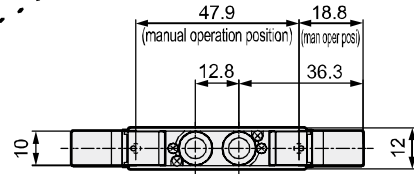
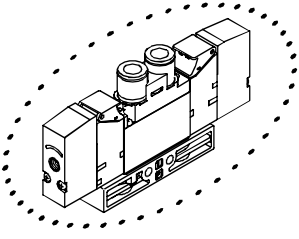
4GA111R

● 2-position single



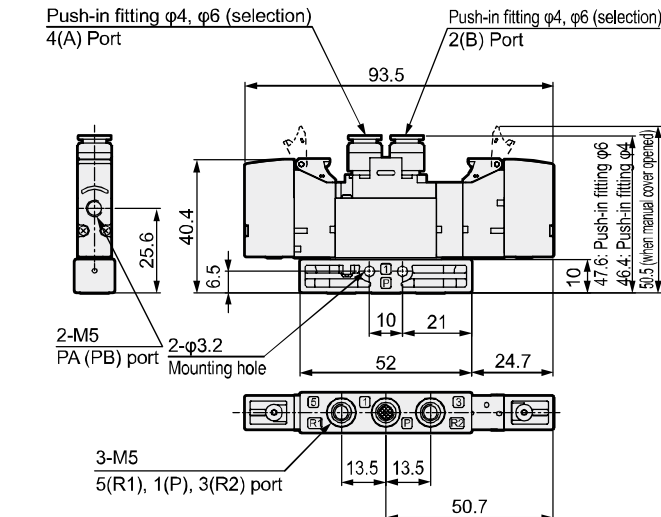
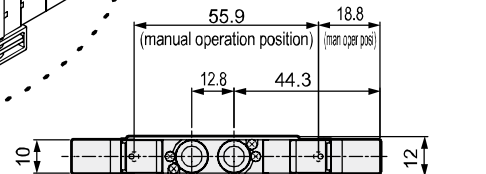
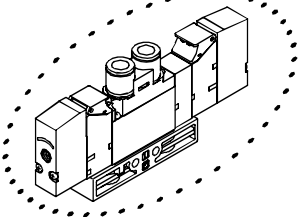
4GA121R

● 2-position double



4GA113R

● 3-position



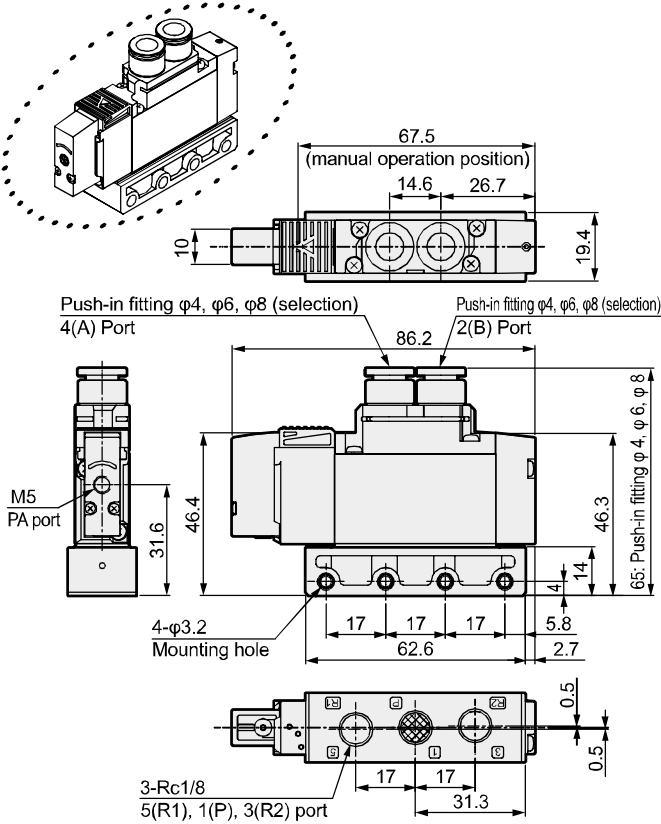
* The mounting plate (P) is the same as that of the solenoid valve. Refer to pages 34, 36 and 38 for dimensions.

Dimensions



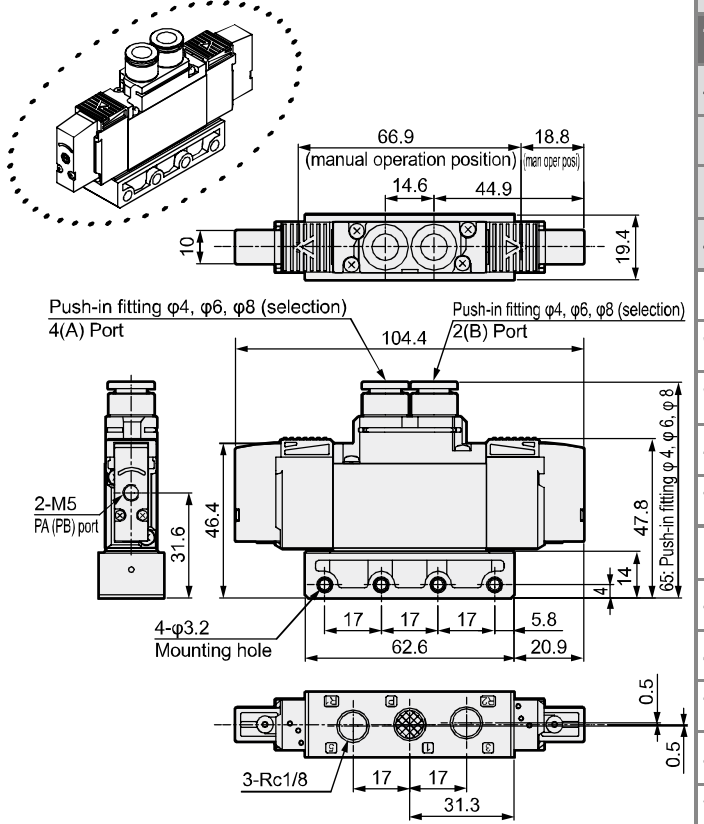
4GA211R

● 2-position single



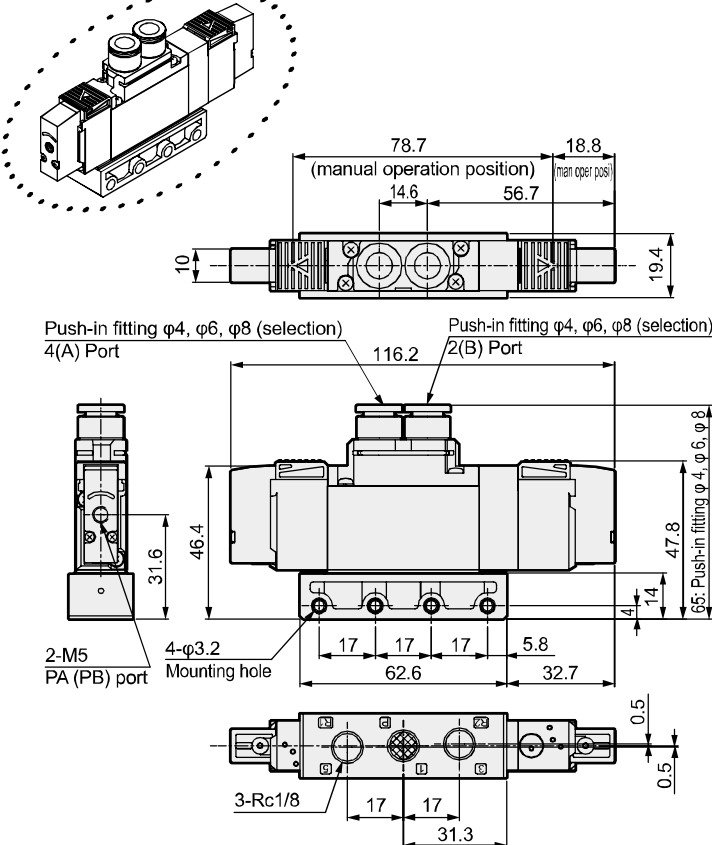
4GA221R

● 2-position double



4GA2³1R

● 3-position



4GA/B
M4GA/B
MN4GA/B
4GA/B (mastr)
4GD/E
M4GD/E
MN4GD/E
4GA4/B4
MN3E
MN4E
W4GA/B2
W4GB4
4TB
4L2-4/LMF0
MN3S0
MN4S0
4SA/B0
4KA/B
4KA/B (mastr)
4F
4F (mastr)
PV5G
GMF
PV5
GMF
PV5S-0
3QR
3QB
MV3QR
3MA/B0
3PA/B
P/M/B
NP/NAP/NVP
4F*0EX
4F*0E
HMV
HSV
2QV
3QV
SKH
PCD
Silencer
TotAirSys (Total Air)
TotAirSys (Gamma)
Ending

* The mounting plate (P) is the same as that of the solenoid valve. Refer to pages 40, 42 and 44 for dimensions.

4GA Series

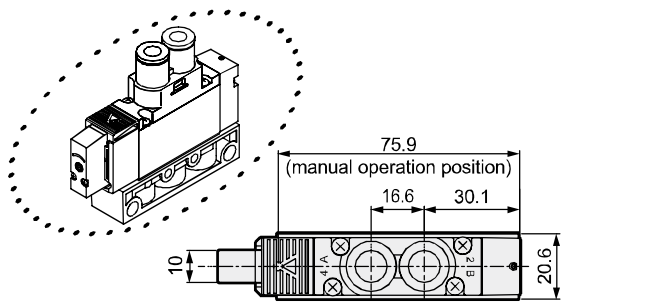
Single master valve; body piping

Dimensions 

- 4GA/B
- M4GA/B
- MN4GA/B
- 4GA/B (mastr)
- 4GD/E
- M4GD/E
- MN4GD/E
- 4GA4/B4
- MN3E
- MN4E
- W4GA/B2
- W4GB4
- 4TB
- 4L2-4/ LMF0
- MN3S0
- MN4S0
- 4SA/B0
- 4KA/B
- 4KA/B (mastr)
- 4F
- 4F (mastr)
- PV5G
- GMF
- PV5
- GMF
- PV5S-0
- 3QR
- 3QB
- MV3QR
- 3MA/B0
- 3PA/B
- P/M/B
- NP/NAP/ NVP
- 4F*0EX
- 4F*0E
- HMV
- HSV
- 2QV
- 3QV
- SKH
- PCD
- Silencer
- TotAirSys (Total Air)
- TotAirSys (Gamma)
- Ending

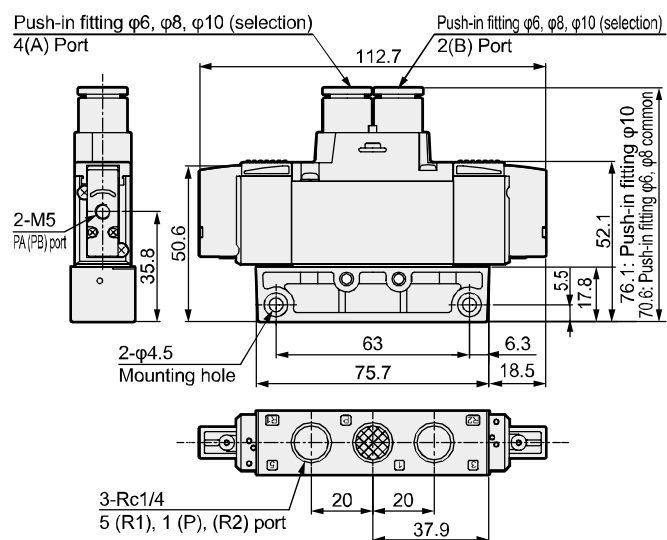
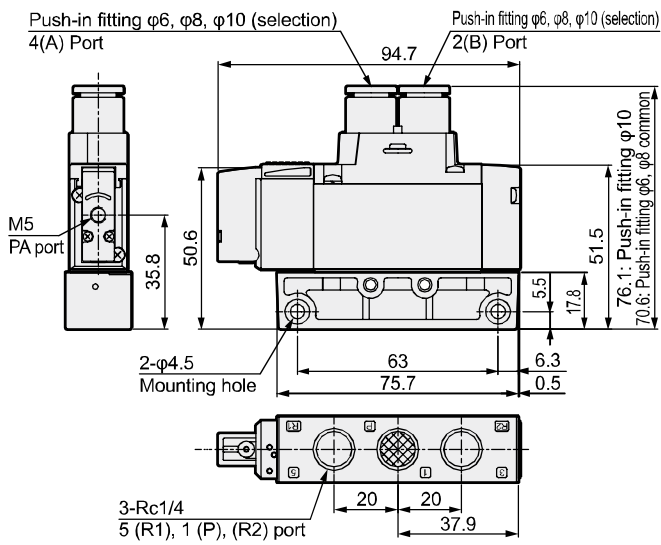
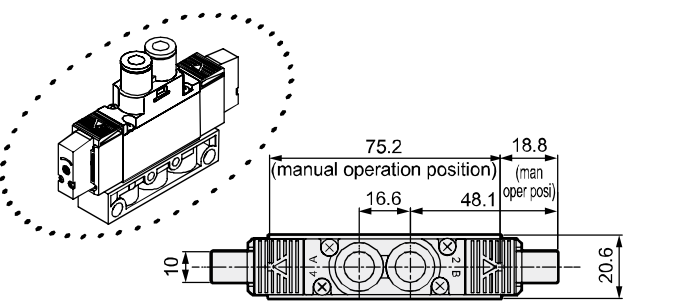
4GA311R

● 2-position single



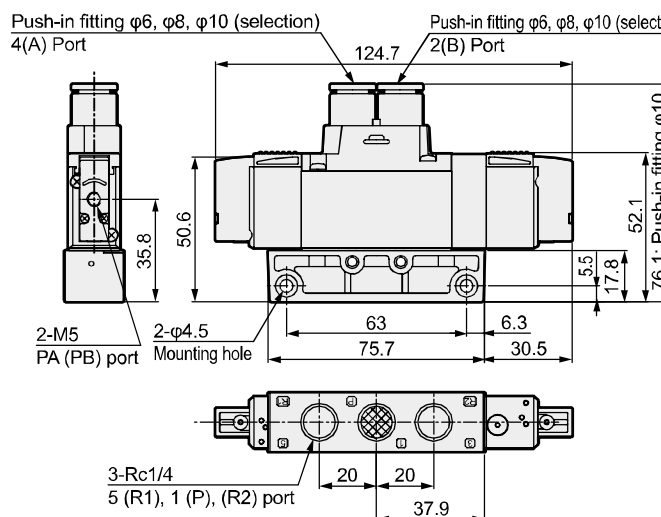
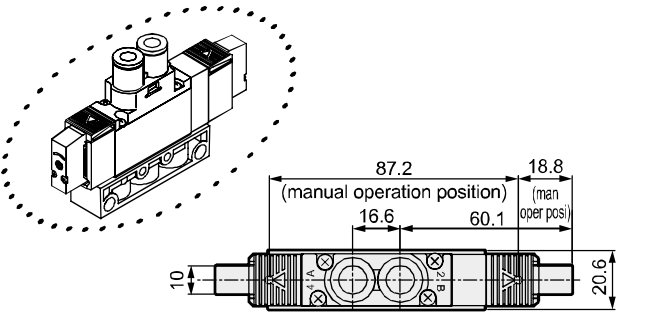
4GA321R

● 2-position double



4GA313R

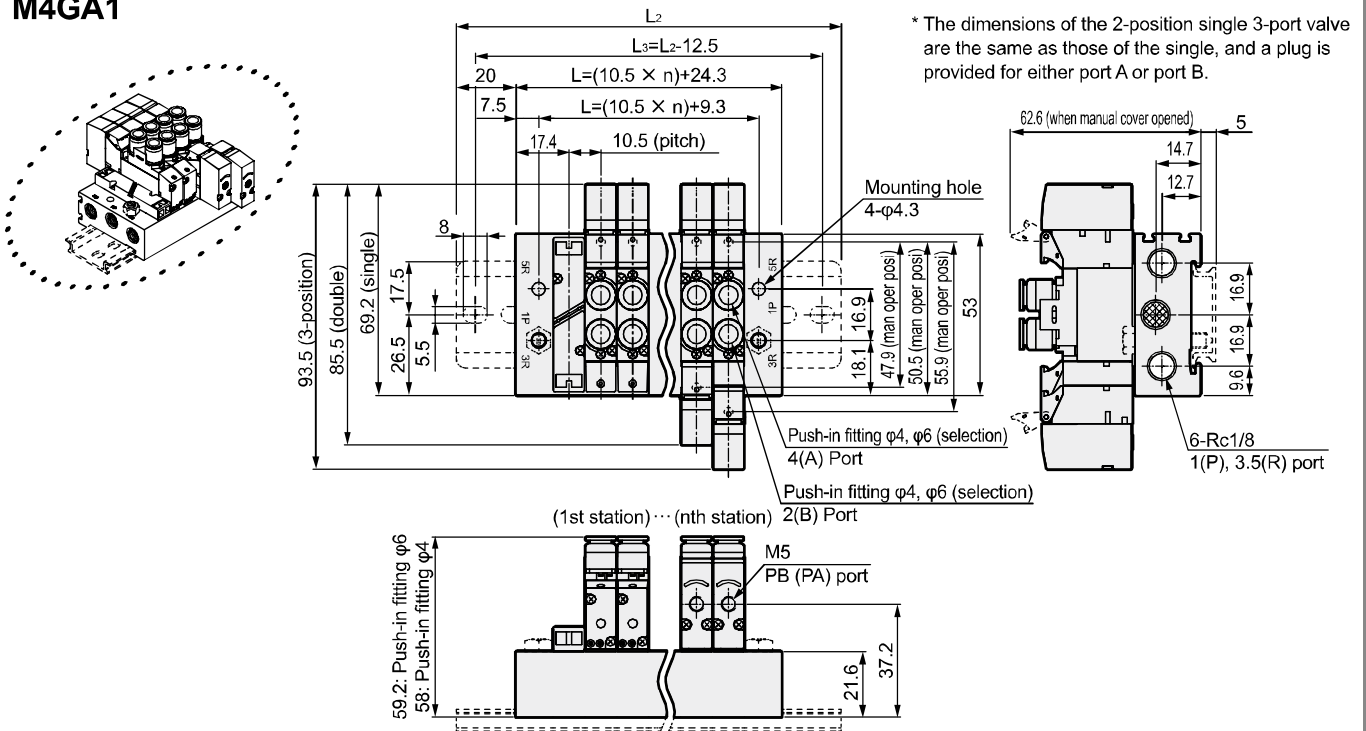
● 3-position



* The mounting plate (P) is the same as that of the solenoid valve. Refer to pages 46, 48 and 50 for dimensions.

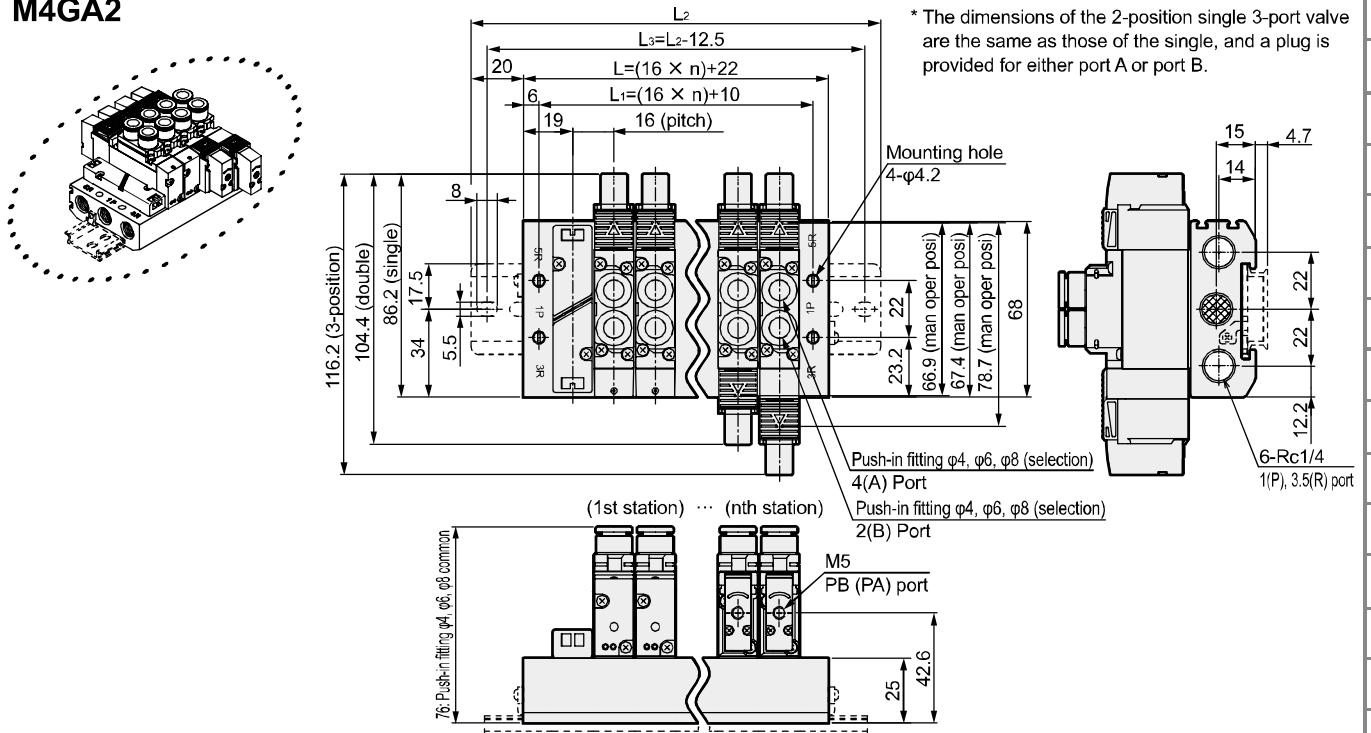
Dimensions

M4GA1



Stn No.	2	3	4	5	6	7	8	9	10	11	12	13	14	15	16	17	18	19	20
L	45.3	55.8	66.3	76.8	87.3	97.8	108.3	118.8	129.3	139.8	150.3	160.8	171.3	181.8	192.3	202.8	213.3	223.8	234.3
L ₁	30.3	40.8	51.3	61.8	72.3	82.8	93.3	103.8	114.3	124.8	135.3	145.8	156.3	166.8	177.3	187.8	198.3	208.8	219.3
L ₂	87.5	100.0	112.5	125.0	137.5	150.0	150.0	162.5	175.0	187.5	200.0	212.5	212.5	225.0	237.5				
L ₃	75.0	87.5	100.0	112.5	125.0	137.5	137.5	150.0	162.5	175.0	187.5	200.0	200.0	212.5	225.0				

M4GA2



Stn No.	2	3	4	5	6	7	8	9	10	11	12	13	14	15	16	17	18	19	20
L	54.0	70.0	86.0	102.0	118.0	134.0	150.0	166.0	182.0	198.0	214.0	230.0	246.0	262.0	278.0	294.0	310.0	326.0	342.0
L ₁	42.0	58.0	74.0	90.0	106.0	122.0	138.0	154.0	170.0	186.0	202.0	218.0	234.0	250.0	266.0	282.0	298.0	314.0	330.0
L ₂	100.0	112.5	137.5	150.0	162.5	175.0	200.0	212.5	225.0	250.0	262.5	275.0	287.5	312.5	325.0				
L ₃	87.5	100.0	125.0	137.5	150.0	162.5	187.5	200.0	212.5	237.5	250.0	262.5	275.0	300.0	312.5				

- 4GA/B
- M4GA/B
- MN4GA/B
- 4GA/B (mastr)
- 4GD/E
- M4GD/E
- MN4GD/E
- 4GA4/B4
- MN3E
- MN4E
- W4GA/B2
- W4GB4
- 4TB
- 4L2-4/LMF0
- MN3S0
- MN4S0
- 4SA/B0
- 4KA/B
- 4KA/B (mastr)
- 4F
- 4F (mastr)
- PV5G
- GMF
- PV5
- GMF
- PV5S-0
- 3QR
- 3QB
- MV3QR
- 3MA/B0
- 3PA/B
- P/M/B
- NP/NAP/NVP
- 4F*0EX
- 4F*0E
- HMV
- HSV
- 2QV
- 3QV
- SKH
- PCD
- Silencer
- TotAirSys (Total Air)
- TotAirSys (Gamma)
- Ending

M4GA Series

Master valve manifold; body piping

Dimensions 

4GA/B

M4GA/B

MN4GA/B

4GA/B (mastr)

4GD/E

M4GD/E

MN4GD/E

4GA4/B4

MN3E

MN4E

W4GA/B2

W4GB4

4TB

4L2-4/

LMF0

MN3S0

MN4S0

4SA/B0

4KA/B

4KA/B (mastr)

4F

4F (mastr)

PV5G

GMF

PV5

GMF

PV5S-0

3QR

3QB

MV3QR

3MA/B0

3PA/B

P/M/B

NP/NAP/

NVP

4F*0EX

4F*0E

HMV

HSV

2QV

3QV

SKH

PCD

Silencer

TotAirSys

(Total Air)

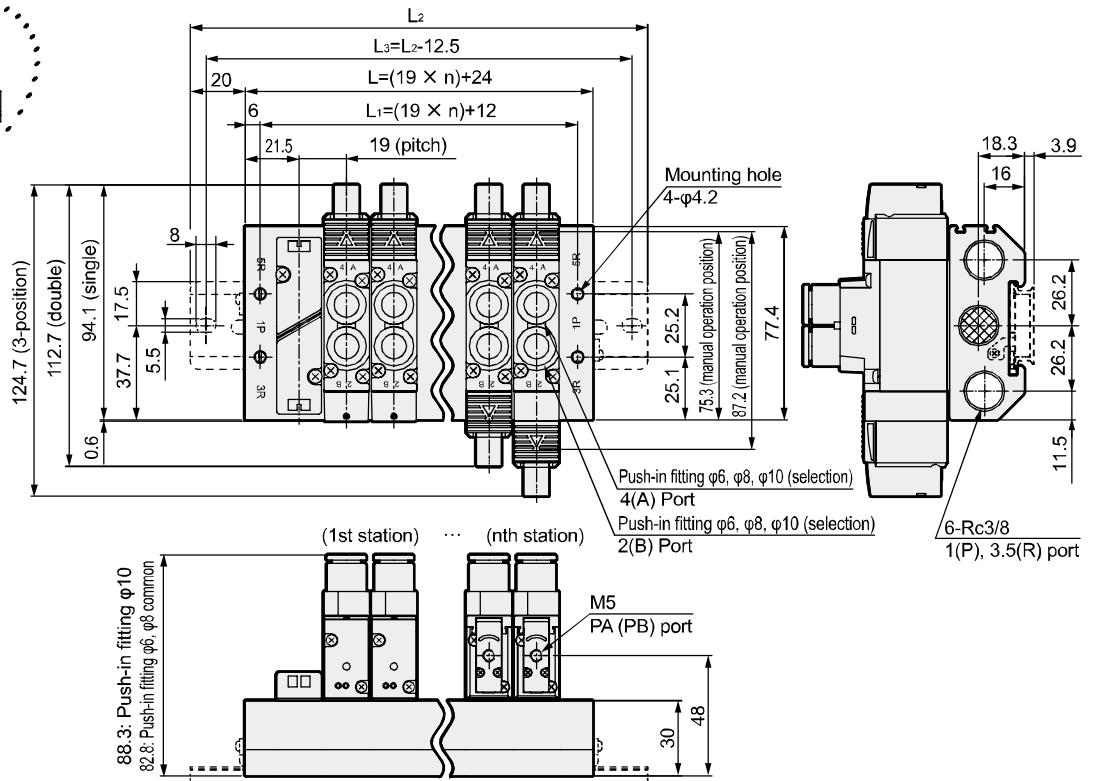
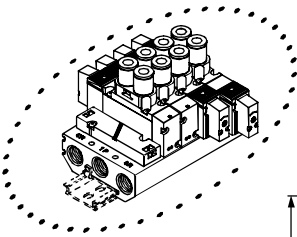
TotAirSys

(Gamma)

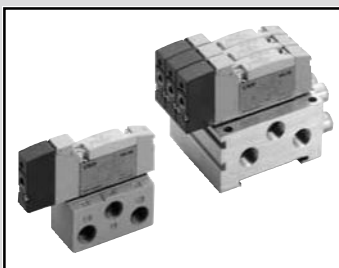
Ending

M4GA3

* The dimensions of the 2-position single 3-port valve are the same as those of the single, and a plug is provided for either port A or port B.



Strn No.	2	3	4	5	6	7	8	9	10	11	12	13	14	15	16	17	18	19	20
L	62.0	81.0	100.0	119.0	138.0	157.0	176.0	195.0	214.0	233.0	252.0	271.0	290.0	309.0	328.0	347.0	366.0	385.0	404.0
L ₁	50.0	69.0	88.0	107.0	126.0	145.0	164.0	183.0	202.0	221.0	240.0	259.0	278.0	297.0	316.0	335.0	354.0	373.0	392.0
L ₂	112.5	125.0	150.0	162.5	187.5	200.0	225.0	237.5	262.5	275.0	300.0	312.5	337.5	350.0	375.0				
L ₃	100.0	112.5	137.5	150.0	175.0	189.5	212.5	225.0	250.0	262.5	287.5	300.0	325.0	337.5	362.5				



Master valve single unit/manifold (metal base)
Base piping

(M)4GB1/2/3 Series

● Cylinder bore size: $\phi 20$ to $\phi 100$



4GA/B
M4GA/B
MN4GA/B
4GA/B (mastr)
4GD/E
M4GD/E
MN4GD/E
4GA4/B4
MN3E
MN4E
W4GA/B2
W4GB4
4TB
4L2-4/
LMF0
MN3S0
MN4S0
4SA/B0
4KA/B
4KA/B (mastr)
4F
4F (mastr)
PV5G
GMF
PV5
GMF
PV5S-0
3QR
3QB
MV3QR
3MA/B0
3PA/B
P/M/B
NP/NAP/
NVP
4F*0EX
4F*0E
HNV
HSV
2QV
3QV
SKH
PCD
Silencer
TotAirSys
(Total Air)
TotAirSys
(Gamma)
Ending

Common specifications

Descriptions	Content
Valve and operation	Pilot operated soft spool valve
Working fluid	Compressed air
Max. working pressure MPa	0.7 (≈ 100 psi, 7 bar)
Min. working pressure *1 MPa	Refer to main pressure section in the table below
Proof pressure MPa	1.05 (≈ 150 psi, 10.5 bar)
Ambient temperature $^{\circ}\text{C}$	-5 (23 $^{\circ}\text{F}$) to 55 (131 $^{\circ}\text{F}$) (no freezing)
Fluid temperature $^{\circ}\text{C}$	5 (41 $^{\circ}\text{F}$) to 55 (131 $^{\circ}\text{F}$)
Manual override	Non-locking/locking common
Pilot exhaust method (manual operation)	Main valve/pilot valve common exhaust
Lubrication *2	Not required
Degree of protection *3	Dust-proof
Vibration resistance m/s^2	50 or less
Shock resistance m/s^2	300 or less
Atmosphere	Cannot be used in corrosive gas environments

*1: When operating manually, supply pressure to the P-port as shown in the table below is required.

2-position 0.1 MPa and over
3-position 0.2 MPa and over

*2: Use turbine oil Class 1 ISO VG32 for lubrication.

Excessive or intermittent lubrication results in unstable operation.

*3: Avoid water drops or oil, etc., during use.

Individual specifications

Base piping (discrete/manifold)

1 MPa \approx 145.0 psi, 1 MPa = 10 bar

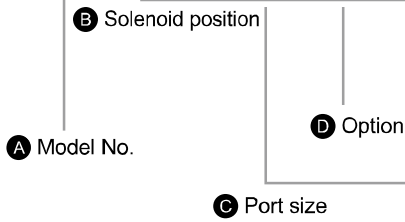
No. of ports	Model No.		Solenoid position	Pilot port PA/PB	Main pressure	Pilot signal pressure MPa	Other specification pages Note
	Single unit	Manifold					
5-port	4GB111R	M4GB111R	2-position single	M5	0.2 to 0.7	(0.6 \times main pressure + 0.06) to 0.7	Single unit: Page 60 Manifold: Page 112
	4GB121R	M4GB121R	2-position double		0 to 0.7	0.2 to 0.7	
	4GB1 _{5/2,3} 1R	M4GB1 _{5/2,3} 1R	3-position		0.2 to 0.7	(0.6 \times main pressure + 0.06) to 0.7	
	4GB211R	M4GB211R	2-position single	M5	0 to 0.7	0.2 to 0.7	
	4GB221R	M4GB221R	2-position double		0.2 to 0.7	(0.6 \times main pressure + 0.06) to 0.7	
	4GB2 _{5/3} 1R	M4GB2 _{5/3} 1R	3-position		0 to 0.7	0.2 to 0.7	
	4GB311R	M4GB311R	2-position single	M5	0.2 to 0.7	(0.6 \times main pressure + 0.06) to 0.7	
	4GB321R	M4GB321R	2-position double		0 to 0.7	0.2 to 0.7	
4GB3 _{5/4,3} 1R	M4GB3 _{5/4,3} 1R	3-position	0.2 to 0.7		(0.6 \times main pressure + 0.06) to 0.7		

Note Other specifications are the same as those of 4G series. Refer to pages for each specification.

How to order

Discrete master valve

4GB2 **1** **1R-** **08** - **H**



⚠ Precautions for model No. selection

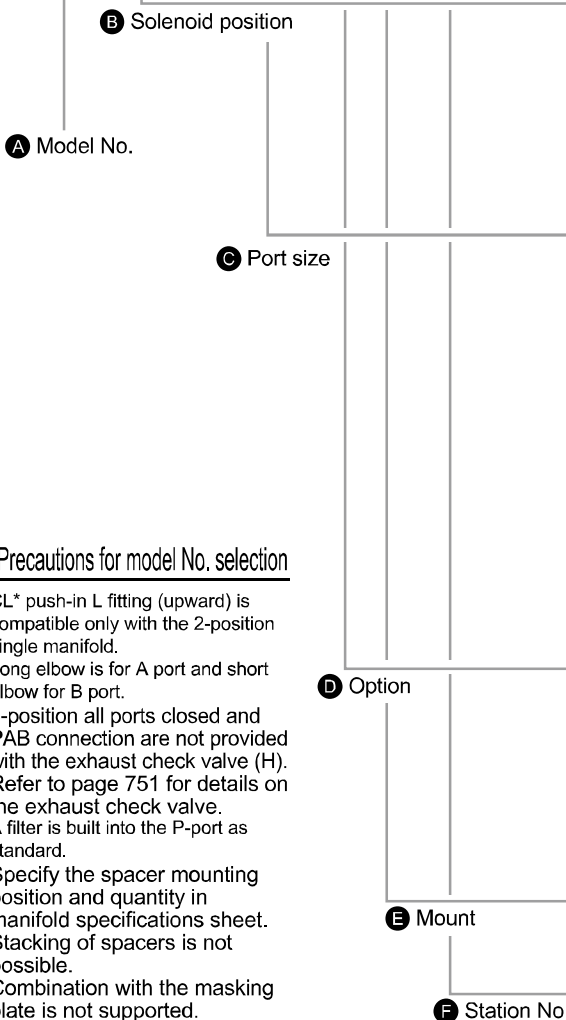
- *1 : 3-position all ports closed and PAB connection are not provided with the exhaust check valve (H). Refer to page 751 for details on the exhaust check valve.
- *2 : A filter is built into the P-port as standard.

Manifold

M **4GB2** **1** **1R-** **C4** - **H** **D** - **8**

Discrete master valve for manifold (gasket, set screw, PR check valve attached)

4GB2 **1** **8R-** **00** - **H**



⚠ Precautions for model No. selection

- *1 : CL* push-in L fitting (upward) is compatible only with the 2-position single manifold. Long elbow is for A port and short elbow for B port.
- *2 : 3-position all ports closed and PAB connection are not provided with the exhaust check valve (H). Refer to page 751 for details on the exhaust check valve.
- *3 : A filter is built into the P-port as standard.
- *4 : Specify the spacer mounting position and quantity in manifold specifications sheet. Stacking of spacers is not possible. Combination with the masking plate is not supported. Refer to pages 186 to 190 for details.
- *5 : The master valve for manifold cannot be selected as a discrete valve.

		A Model No.		
		4GB1	4GB2	4GB3
Code	Content			
B Solenoid position				
1	2-position single	●	●	●
2	2-position double	●	●	●
3	3-position all ports closed	●	●	●
4	3-position ABR connection	●	●	●
5	3-position PAB connection	●	●	●
C Port size				
Port	A/B Port	P/R1/R2 port ②=Rc1/8 ③=Rc1/4 ④=Rc3/8		
06	Rc1/8	②		
08	Rc1/4		③	③
10	Rc3/8			④
D Option				
Blank	None	●	●	●
H	With exhaust check valve *1	●	●	●
A	Ozone/coolant proof product	●	●	●
F	A/B-port filter built in *2	●	●	●

is not available.

		A Model No.		
		M4GB1	M4GB2	M4GB3
Code	Content			
B Solenoid position				
1	2-position single	●	●	●
2	2-position double	●	●	●
3	3-position all ports closed	●	●	●
4	3-position ABR connection	●	●	●
5	3-position PAB connection	●	●	●
8	Mix manifold (when there are multiple solenoid positions)	●	●	●
C Port size				
Port	A/B Port	P/R1/R2 port ②=Rc1/8 ③=Rc1/4 ④=Rc3/8		
C4	φ4 Push-in fitting	②	③	
C6	φ6 Push-in fitting	②	③	④
C8	φ8 Push-in fitting		③	④
C10	φ10 Push-in fitting			④
CL4	φ4 L type push-in fitting (upward) *1	②		
CL6	φ6 L type push-in fitting (upward) *1	②	③	
CL8	φ8 L type push-in fitting (upward) *1		③	④
CL10	φ10 L type push-in fitting (upward) *1			④
CX	Push-in fitting mix	②	③	④
M5	M5	②		
06	Rc1/8		③	
08	Rc1/4			④
D Option				
Blank	None	●	●	●
H	With exhaust check valve *2	●	●	●
A	Ozone/coolant proof product	●	●	●
F	A/B-port filter built in *3	●	●	●
Z1	Air supply spacer *4/*5	●	●	●
Z2	In-stop valve spacer *4/*5		●	●
Z3	Exhaust spacer *4/*5	●	●	●
E Mount				
Blank	Direct mount	●	●	●
D	DIN rail mount	●	●	●
F Station No.				
2	2 stations			
to	to	●	●	●
20	Refer to page 112 for the max. station number per model.			

is not available.

- 4GA/B
- M4GA/B
- MN4GA/B
- 4GA/B (mastr)
- 4GD/E
- M4GD/E
- MN4GD/E
- 4GA4/B4
- MN3E
- MN4E
- W4GA/B2
- W4GB4
- 4TB
- 4L2-4/LMF0
- MN3S0
- MN4S0
- 4SA/B0
- 4KA/B
- 4KA/B (mastr)
- 4F
- 4F (mastr)
- PV5G
- GMF
- PV5
- GMF
- PV5S-0
- 3QR
- 3QB
- MV3QR
- 3MA/B0
- 3PA/B
- P/M/B
- NP/NAP/NVP
- 4F*0EX
- 4F*0E
- HMV
- HSV
- 2QV
- 3QV
- SKH
- PCD
- Silencer
- TotAirSys (Total Air)
- TotAirSys (Gamma)
- Ending

4GB Series

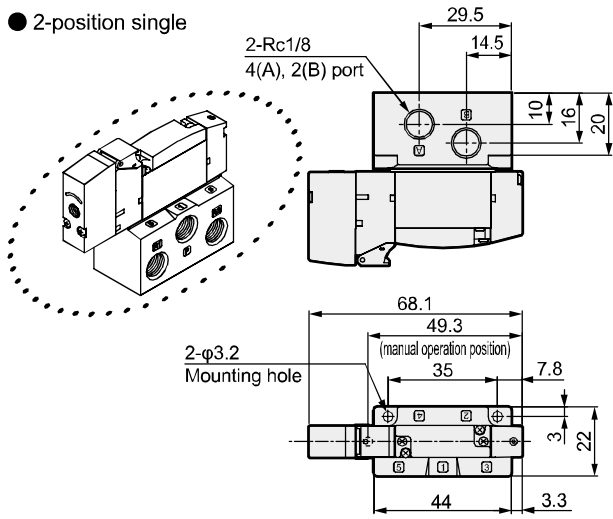
Discrete master valve; base piping

Dimensions

4GA/B
M4GA/B
MN4GA/B
4GA/B (mastr)
4GD/E
M4GD/E
MN4GD/E
4GA4/B4
MN3E MN4E
W4GA/B2
W4GB4
4TB
4L2-4/ LMF0
MN3S0 MN4S0
4SA/B0
4KA/B
4KA/B (mastr)
4F
4F (mastr)
PV5G GMF
PV5 GMF
PV5S-0
3QR 3QB
MV3QR
3MA/B0
3PA/B
P/M/B
NP/NAP/ NVP
4F*0EX
4F*0E
HMV HSV
2QV 3QV
SKH
PCD
Silencer
TotAirSys (Total Air)
TotAirSys (Gamma)
Ending

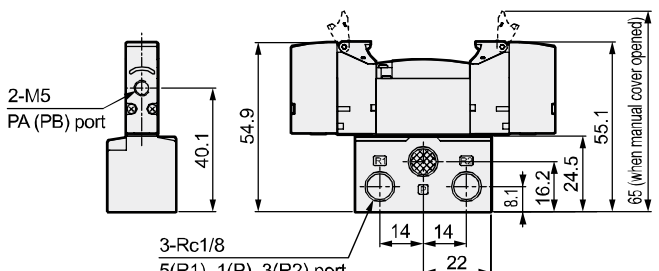
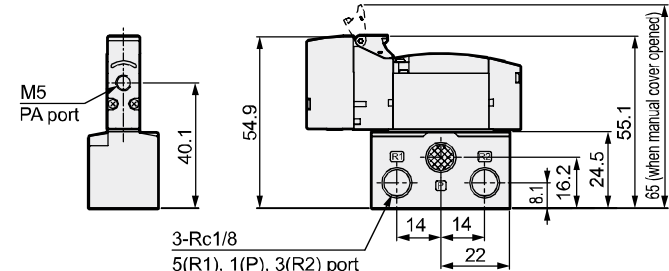
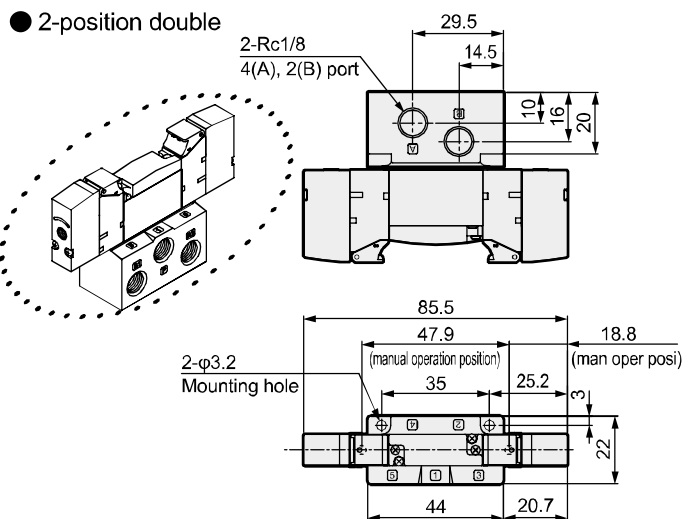
4GB111R

● 2-position single



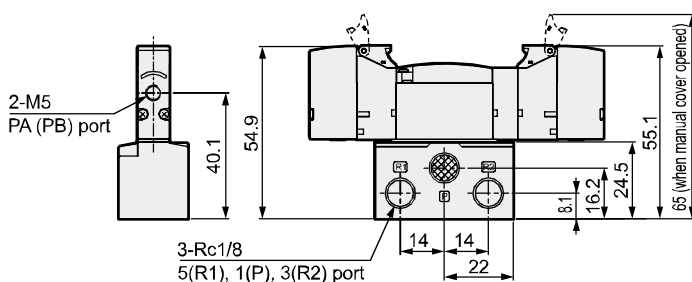
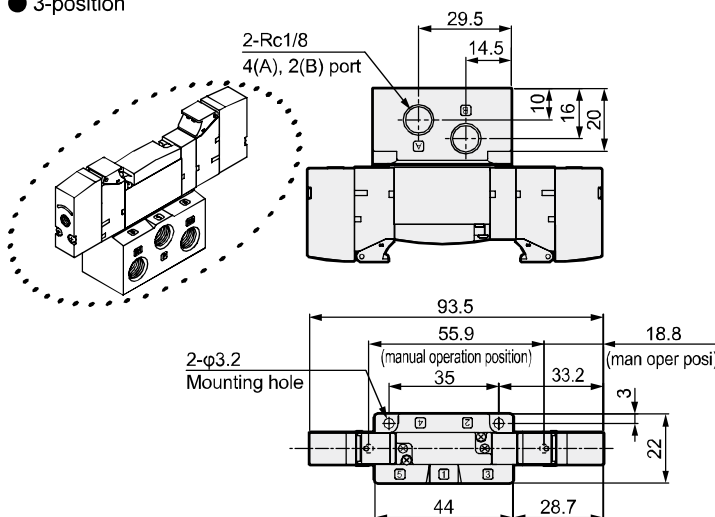
4GB121R

● 2-position double



4GB111R

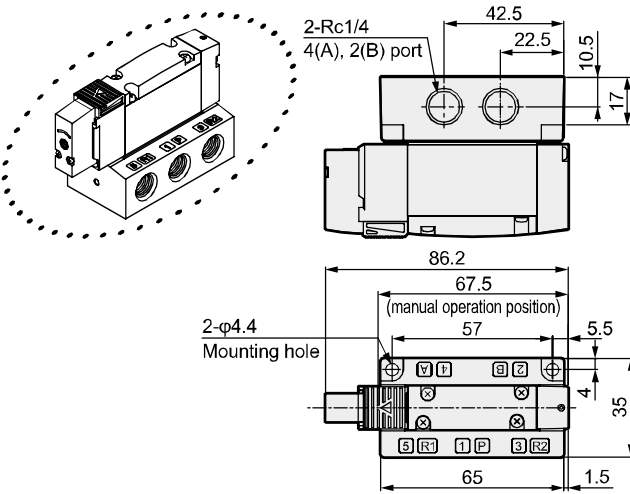
● 3-position



Dimensions

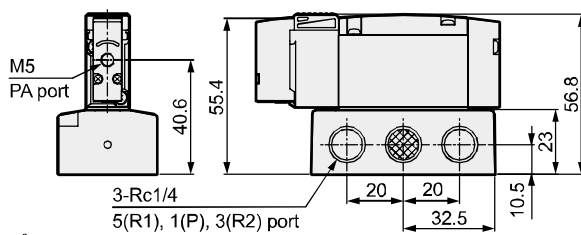
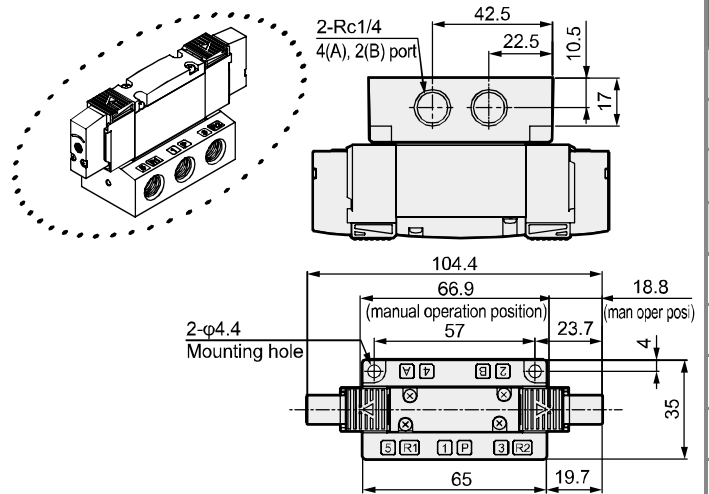
4GB211R

● 2-position single



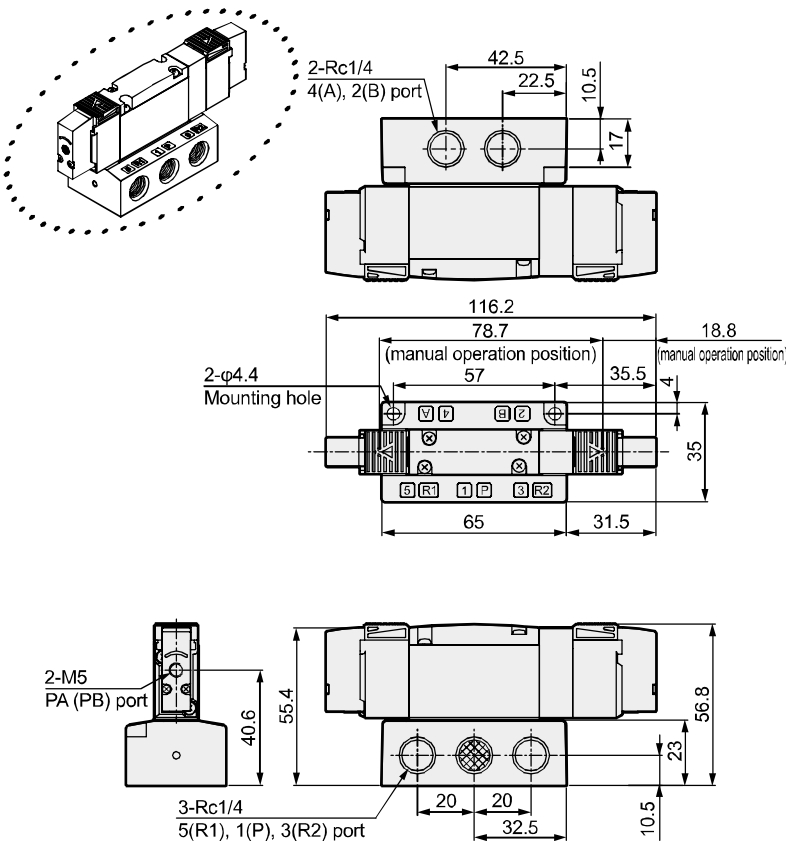
4GB221R

● 2-position double



4GB21R

● 3-position



4GA/B
M4GA/B
MN4GA/B
4GA/B (mastr)
4GD/E
M4GD/E
MN4GD/E
4GA4/B4
MN3E
MN4E
W4GA/B2
W4GB4
4TB
4L2-4/ LMF0
MN3S0
MN4S0
4SA/B0
4KA/B
4KA/B (mastr)
4F
4F (mastr)
PV5G
GMF
PV5
GMF
PV5S-0
3QR
3QB
MV3QR
3MA/B0
3PA/B
P/M/B
NP/NAP/ NVP
4F*0EX
4F*0E
HMV
HSV
2QV
3QV
SKH
PCD
Silencer
TotAirSys (Total Air)
TotAirSys (Gamma)
Ending

4GB Series

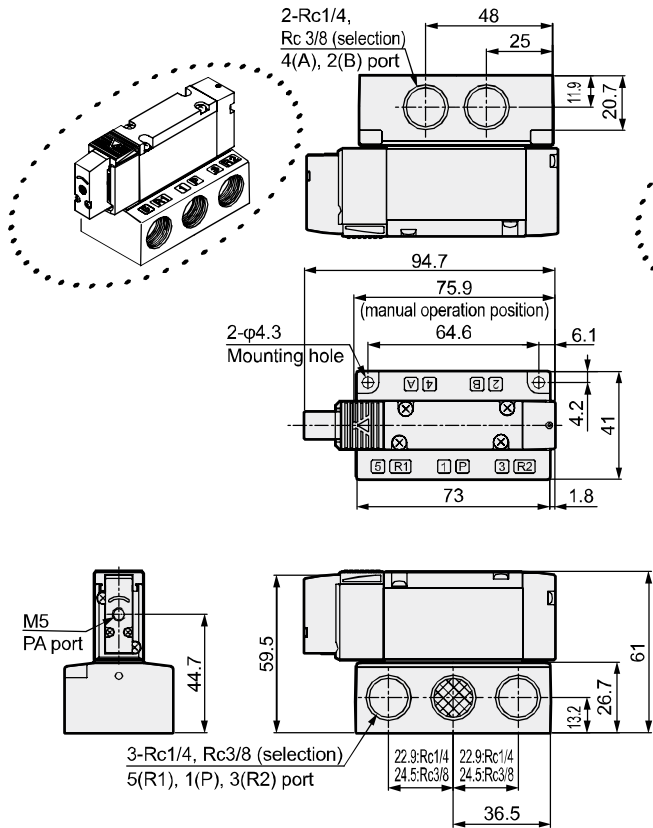
Discrete master valve; base piping

Dimensions

4GA/B
M4GA/B
MN4GA/B
4GA/B (mastr)
4GD/E
M4GD/E
MN4GD/E
4GA4/B4
MN3E MN4E
W4GA/B2
W4GB4
4TB
4L2-4/ LMF0
MN3S0 MN4S0
4SA/B0
4KA/B
4KA/B (mastr)
4F
4F (mastr)
PV5G GMF
PV5 GMF
PV5S-0
3QR 3QB
MV3QR
3MA/B0
3PA/B
P/M/B
NP/NAP/ NVP
4F*0EX
4F*0E
HMV HSV
2QV 3QV
SKH
PCD
Silencer
TotAirSys (Total Air)
TotAirSys (Gamma)
Ending

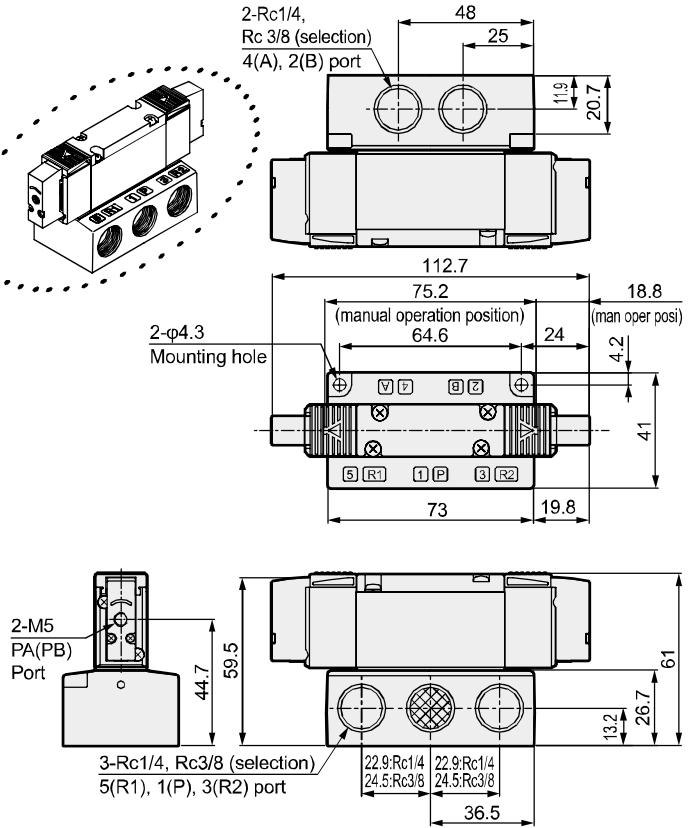
4GB311R

● 2-position single



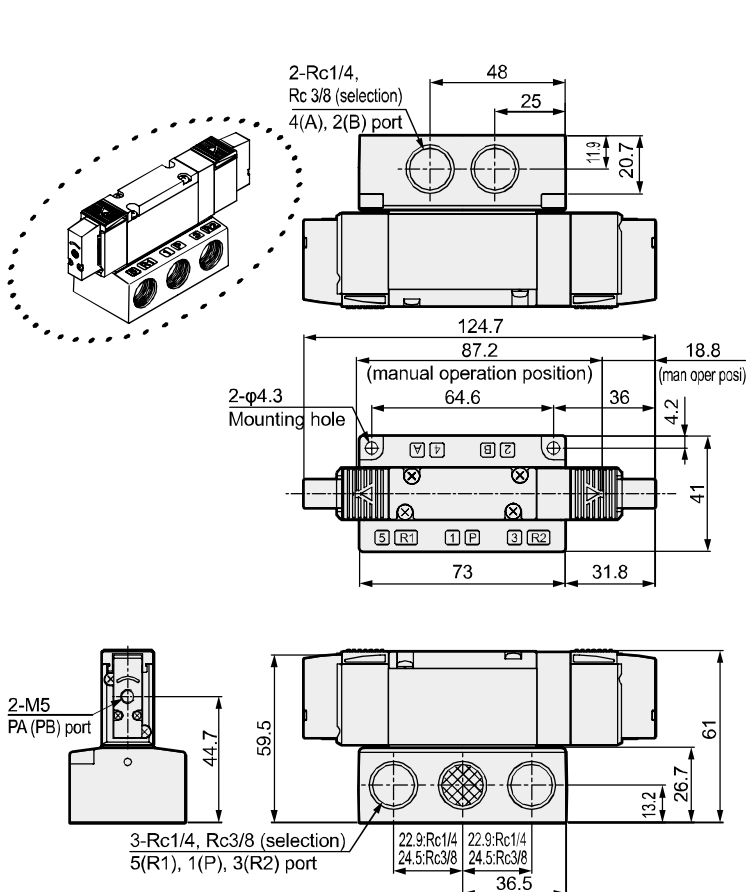
4GB321R

● 2-position double



4GB31R

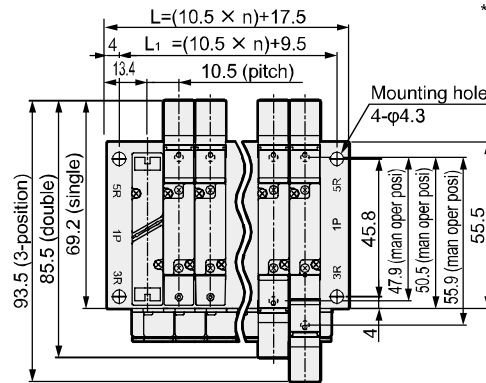
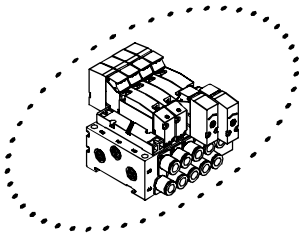
● 3-position



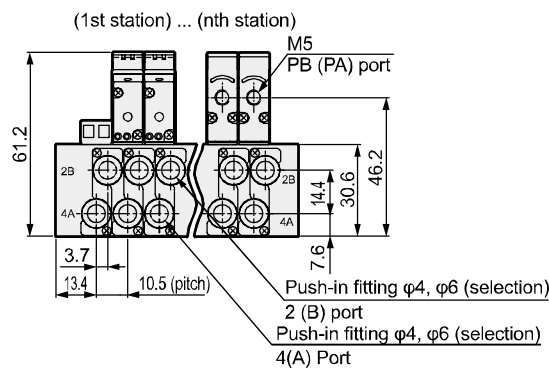
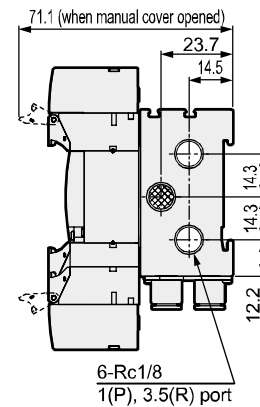
Dimensions

M4GB1

- Direct mount installation

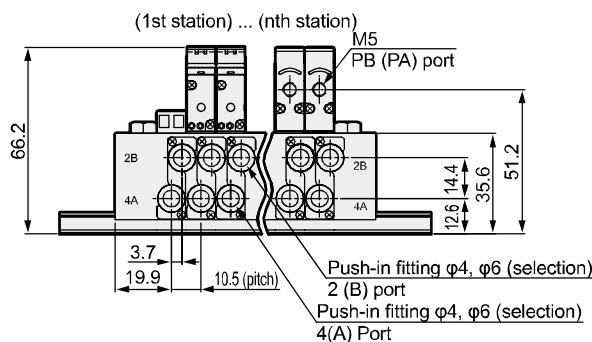
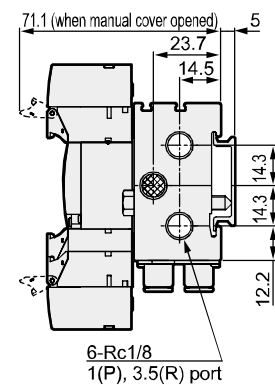
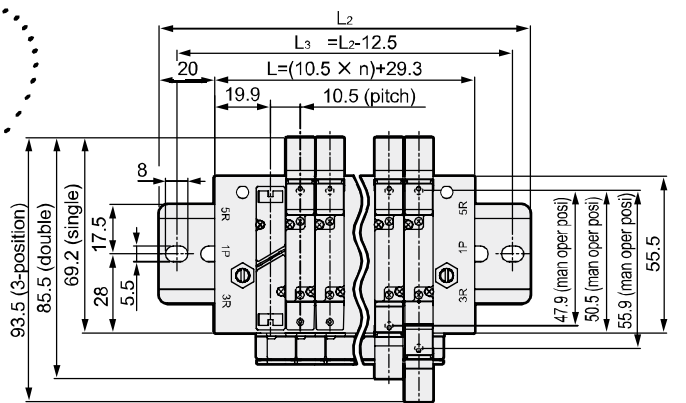
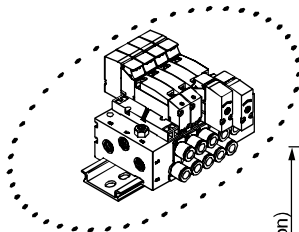


* Dimensions of the female thread and push-in L fitting (upward) are the same as those of 4G. Refer to each dimension.



Stn No.	2	3	4	5	6	7	8	9	10	11	12	13	14	15	16	17	18	19	20
L	38.5	49.0	59.5	70.0	80.5	91.0	101.5	112.0	122.5	133.0	143.5	154.0	164.5	175.0	185.5	196.0	206.5	217.0	227.5
L ₁	30.5	41.0	51.5	62.0	72.5	83.0	93.5	104.0	114.5	125.0	135.5	146.0	156.5	167.0	177.5	188.0	198.5	209.0	219.5

- DIN rail installation (D)



Stn No.	2	3	4	5	6	7	8	9	10	11	12	13	14	15	16
L	50.3	60.8	71.3	81.8	92.3	102.8	113.3	123.8	134.3	144.8	155.3	165.8	176.3	186.8	197.3
L ₂	100.0	112.5	112.5	125.0	137.5	150.0	162.5	175.0	175.0	187.5	200.0	212.5	225.0	237.5	237.5
L ₃	87.5	100.0	100.0	112.5	125.0	137.5	150.0	162.5	162.5	175.0	187.5	200.0	212.5	225.0	225.0

4GA/B
M4GA/B
MN4GA/B
4GA/B (mastr)
4GD/E
M4GD/E
MN4GD/E
4GA4/B4
MN3E
MN4E
W4GA/B2
W4GB4
4TB
4L2-4/ LMF0
MN3S0
MN4S0
4SA/B0
4KA/B
4KA/B (mastr)
4F
4F (mastr)
PV5G
GMF
PV5
GMF
PV5S-0
3QR
3QB
MV3QR
3MA/B0
3PA/B
P/M/B
NP/NAP/ NVP
4F*0EX
4F*0E
HMV
HSV
2QV
3QV
SKH
PCD
Silencer
TotAirSys (Total Air)
TotAirSys (Gamma)
Ending

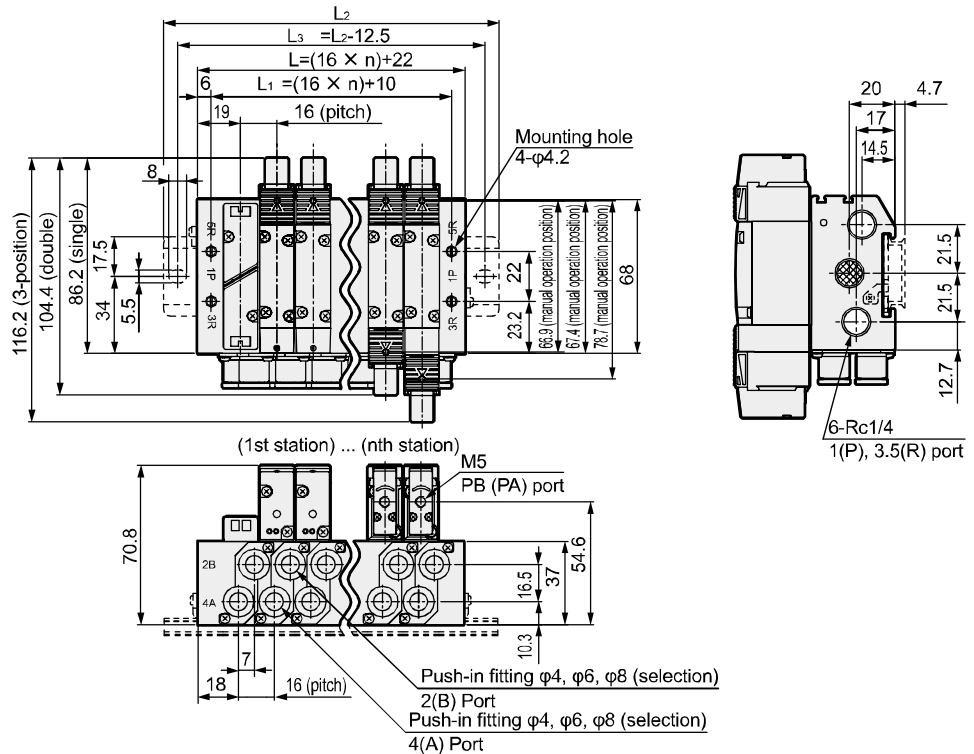
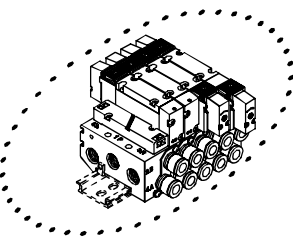
M4GB Series

Master valve manifold; base piping

Dimensions 

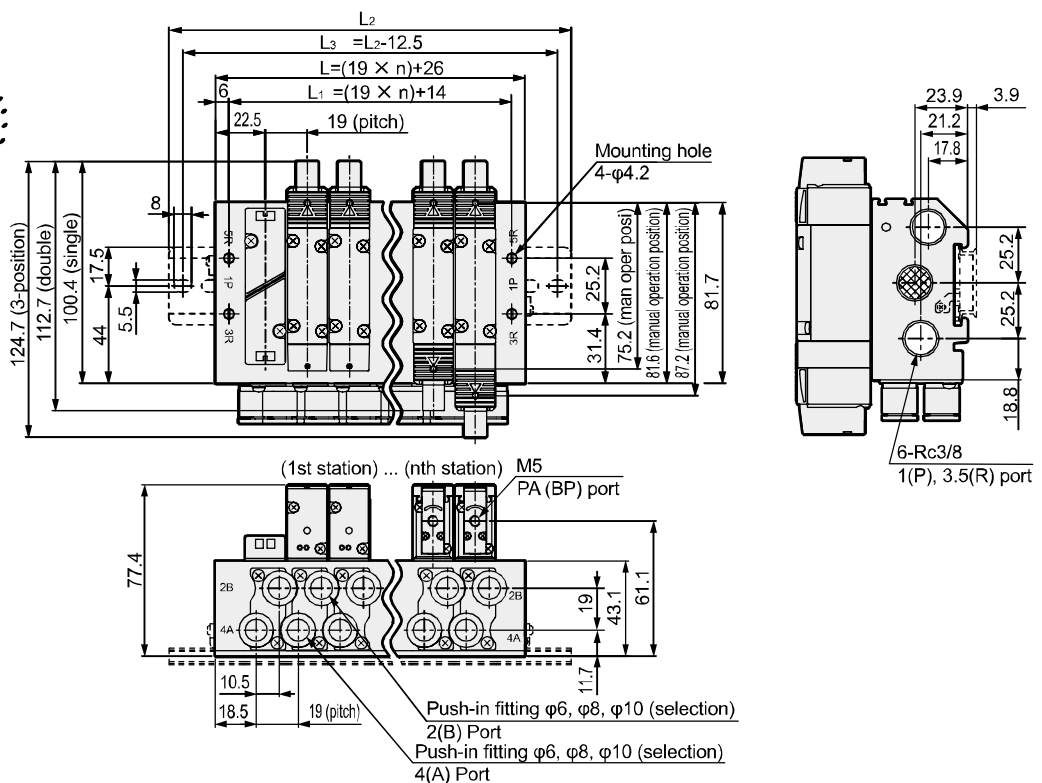
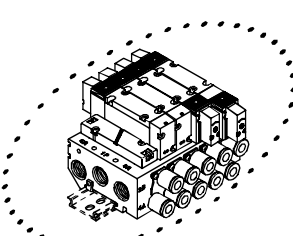
- 4GA/B
- M4GA/B
- MN4GA/B
- 4GA/B (mastr)
- 4GD/E
- M4GD/E
- MN4GD/E
- 4GA4/B4
- MN3E
MN4E
- W4GA/B2
- W4GB4
- 4TB
- 4L2-4/
LMF0
- MN3S0
MN4S0
- 4SA/B0
- 4KA/B
- 4KA/B (mastr)
- 4F
- 4F (mastr)
- PV5G
GMF
- PV5
GMF
- PV5S-0
- 3QR
3QB
- MV3QR
- 3MA/B0
- 3PA/B
- P/M/B
- NP/NAP/
NVP
- 4F*0EX
- 4F*0E
- HMV
HSV
- 2QV
3QV
- SKH
- PCD
- Silencer
- TotAirSys
(Total Air)
- TotAirSys
(Gamma)
- Ending

M4GB2



Stn No.	2	3	4	5	6	7	8	9	10	11	12	13	14	15	16	17	18	19	20
L	54.0	70.0	86.0	102.0	118.0	134.0	150.0	166.0	182.0	198.0	214.0	230.0	246.0	262.0	278.0	294.0	310.0	326.0	342.0
L ₁	42.0	58.0	74.0	90.0	106.0	122.0	138.0	154.0	170.0	186.0	202.0	218.0	234.0	250.0	266.0	282.0	298.0	314.0	330.0
L ₂	100.0	112.5	137.5	150.0	162.5	175.0	200.0	212.5	225.0	250.0	262.5	275.0	287.5	312.5	325.0				
L ₃	87.5	100.0	125.0	137.5	150.0	162.5	187.5	200.0	212.5	237.5	250.0	262.5	275.0	300.0	312.5				

M4GB3



Stn No.	2	3	4	5	6	7	8	9	10	11	12	13	14	15	16	17	18	19	20
L	64.0	83.0	102.0	121.0	140.0	159.0	178.0	197.0	216.0	235.0	254.0	273.0	292.0	311.0	330.0	349.0	368.0	387.0	406.0
L ₁	52.0	71.0	90.0	109.0	128.0	147.0	166.0	185.0	204.0	223.0	242.0	261.0	280.0	299.0	318.0	337.0	356.0	375.0	394.0
L ₂	112.5	125.0	150.0	162.5	187.5	200.0	225.0	237.5	262.5	275.0	300.0	325.0	337.5	362.5	375.0				
L ₃	100.0	112.5	137.5	150.0	175.0	187.5	212.5	225.0	250.0	262.5	287.5	312.5	325.0	350.0	362.5				

- 4GA/B
- M4GA/B
- MN4GA/B
- 4GA/B (mastr)
- 4GD/E
- M4GD/E
- MN4GD/E
- 4GA4/B4
- MN3E
MN4E
- W4GA/B2
- W4GB4
- 4TB
- 4L2-4/
LMF0
- MN3S0
MN4S0
- 4SA/B0
- 4KA/B
- 4KA/B (mastr)
- 4F
- 4F (mastr)
- PV5G
GMF
- PV5
GMF
- PV5S-0
- 3QR
3QB
- MV3QR
- 3MA/B0
- 3PA/B
- P/M/B
- NP/NAP/
NVP
- 4F*0EX
- 4F*0E
- HMV
HSV
- 2QV
3QV
- SKH
- PCD
- Silencer
- TotAirSys
(Total Air)
- TotAirSys
(Gamma)
- Ending

Master valve

M4G^A_B 1 Manifold specifications sheet

Issued _____ / _____ / _____

Your company name _____

Contact _____

Order No. _____

● Contact _____ ● Quantity _____ set(s) ● Delivery date _____ / _____

Slip No. _____ Order No. _____

● Manifold model No.

M **G^A_B 1** **1R-** - -

Type of solenoid valve Solenoid position Port size Other options Mount Station No.

Solenoid valve model No.	Fitting CX		Valve installation position																								Quantity	
	A	B	1	2	3	4	5	6	7	8	9	10	11	12	13	14	15	16	17	18	19	20	21	22	23	24		
4G ^A _B 1 8R-																												
4G ^A _B 1 8R-																												
4G ^A _B 1 8R-																												
4G ^A _B 1 8R-																												
3GA1 8R-																												
3GA1 8R-																												
Masking plate 4G1R-MP-																												
Air supply spacer 4G1R-P-																												
Air supply spacer 4G1R-P-																												
In-stop valve spacer 4G1R-IS																												
Exhaust spacer 4G1R-R-																												
Mounting rail L2= <input type="text"/> * Write an integer multiple of 12.5.	Accessory	Blanking plug		Blanking plug		Thread plug		Silencer		Silencer																		
		GWP4-B		GWP6-B		4G1R-M5P		SLW-6S		SLW-6A																		
Push-in fitting tube remover (attached as standard)																												
<input type="checkbox"/> Not required (check the box)																												

Master valve

M4G^A_B 2 Manifold specifications sheet

Issued / /

Your company name

● Contact ● Quantity set(s) ● Delivery date /

Slip No.	Order No.
----------	-----------

Contact

Order No.

● Manifold model No.

M **G**^A_B **2** **1R-** **-** **-**

Type of solenoid valve Solenoid position Port size Other options Mount Station No.

Solenoid valve model No.	Fitting CX		Valve installation position																								Quantity	
	A	B	1	2	3	4	5	6	7	8	9	10	11	12	13	14	15	16	17	18	19	20	21	22	23	24		
4G	2	8R																										
4G	2	8R																										
4G	2	8R																										
4G	2	8R																										
4G	2	8R																										
3GA2		8R																										
3GA2		8R																										
Masking plate 4G2R-MP-																												
Air supply spacer 4G2R-P-																												
Air supply spacer 4G2R-P-																												
In-stop valve spacer 4G2R-IS																												
Exhaust spacer 4G2R-R-																												

Mounting rail	L ₂ =	Accessory	Blanking plug			Thread plug	Silencer		
			GWP4-B	GWP6-B	GWP8-B	4G2R-06P	SLW-8S	SLW-8A	

* Write an integer multiple of 12.5.

- 4GA/B
- M4GA/B
- MN4GA/B
- 4GA/B (mastr)
- 4GD/E
- M4GD/E
- MN4GD/E
- 4GA4/B4
- MN3E
- MN4E
- W4GA/B2
- W4GB4
- 4TB
- 4L2-4/ LMF0
- MN3S0
- MN4S0
- 4SA/B0
- 4KA/B
- 4KA/B (mastr)
- 4F
- 4F (mastr)
- PV5G
- GMF
- PV5
- GMF
- PV5S-0
- 3QR
- 3QB
- MV3QR
- 3MA/B0
- 3PA/B
- P/M/B
- NP/NAP/ NVP
- 4F*0EX
- 4F*0E
- HMV
- HSV
- 2QV
- 3QV
- SKH
- PCD
- Silencer
- TotAirSys (Total Air)
- TotAirSys (Gamma)
- Ending

4GA/B

Master valve

M4GA/B

M4G^A_B 3 Manifold specifications sheet

Issued / /

MN4GA/B

Your company name _____

4GA/B
(mastr)

● Contact ● Quantity set(s) ● Delivery date /

Contact _____

4GD/E

Slip No. _____ Order No. _____

Order No. _____

M4GD/E

● Manifold model No.

MN4GD/E

M G^A_B 3 1R- - - -

Type of solenoid valve Solenoid position Port size Other options Mount Station No.

4GA4/B4

Solenoid valve model No.	Fitting CX		Valve installation position																								Qty						
	A	B	1	2	3	4	5	6	7	8	9	10	11	12	13	14	15	16	17	18	19	20	21	22	23	24							
4G <input type="text"/> 3 <input type="text"/> 8R- <input type="text"/>																																	
4G <input type="text"/> 3 <input type="text"/> 8R- <input type="text"/>																																	
4G <input type="text"/> 3 <input type="text"/> 8R- <input type="text"/>																																	
4G <input type="text"/> 3 <input type="text"/> 8R- <input type="text"/>																																	
3GA3 <input type="text"/> 8R- <input type="text"/>																																	
3GA3 <input type="text"/> 8R- <input type="text"/>																																	
Masking plate 4G3R-MP- <input type="text"/>																																	
Air supply spacer 4G3R-P- <input type="text"/>																																	
Air supply spacer 4G3R-P- <input type="text"/>																																	
In-stop valve spacer 4G3R-IS <input type="text"/>																																	
Exhaust spacer 4G3R-R- <input type="text"/>																																	
Mounting rail L ₂ = <input type="text"/> <small>* Write an integer multiple of 12.5.</small>	Accessory	Blanking plug						Thread plug						Silencer																			
		GWP6-B	GWP8-B		GWP10-B			4G3R-08P		SLW-10A		SLW-10L																					

MV3QR

3MA/B0

3PA/B

P/M/B

NP/NAP/
NVP

4F*0EX

4F*0E

HMV

HSV

2QV

3QV

SKH

PCD

Silencer

TotAirSys
(Total Air)TotAirSys
(Gamma)

Ending