



Solenoid valve 2/2 way N.C. Direct acting - NSF Certified

21JP1RRV12
÷
21JP1R1V23-T0

PRESENTATION:

Direct acting S.V. for interception of fluids compatible with the construction materials.

Minimum operational pressure is not required.

The materials used and the tests carried out ensure maximum reliability and duration.

USE: Vending

PIPES: G 1/8

COIL: 2,5W - Ø 10
LBA 155°C (class F)
5W - Ø 10
LBA 155°C (class F)
LBF - LBV 180°C (class H)

**COIL HOUSING AND COIL FORMER MATERIAL ARE
MADE BY 100% VIRGIN MATERIAL.**

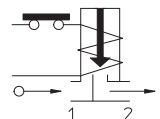
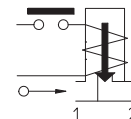
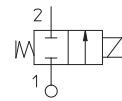
Max. allowable pressure (PS) 16 bar

Ambient temperature:

See coils catalogue page for its compatibility.



Gaskets	Temperature		Medium
V=FKM (fluoroelastomer)	- 10°C	+ 140°C	Water, air, steam



Pipe ISO 228/1	Code	Fig.	Max viscosity		Ø mm	Kv l/mn	Power watt	Pressure		
			cSt	°E				min bar	M.O.P.D. AC bar DC bar	
G 1/8	21JP1RRV12	1	12	~ 2	1,2	1	2,5	0	15	3,5
	21JP1R1V12 -T0 •	2					5			12
							2,5			3,5
	21JP1RRV23	1					37			~ 5
			21JP1R1V23-T0 •	2	5	15			8	
	2,5	6			-					
	5	15	8							



Note

Max torque for fittings 1,5 Nm, coil nut assembly 2 Nm max; armature tube 4 Nm | Evaluate tightening torque for tapered fittings | Use the seal fittings compatible with the material of the body | Available with coil Ex nA | The use of rigid sealings (Ruby or PTFE) usually implies a slight leakage, limited within 2scc/min at the pressure of 1 bar | For application with steam or with PS above the 16 bar, please consult our Technical Service|Available on request and with minimum quantities.

The "ODE" reserves the right to carry out technical and aesthetic modifications without prior notice.

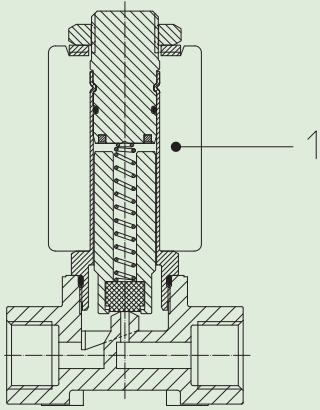


Fig. 1

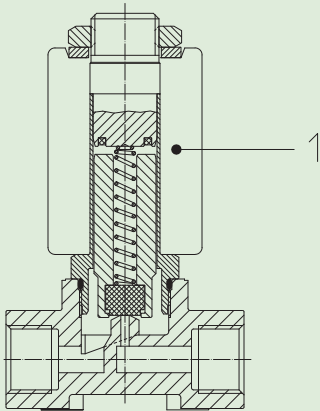


Fig. 2

MATERIALS:

Body	PPS
Armature tube (fig.1)	Brass - UNI EN 12165 CW617N
Armature tube (fig.2)	Stainless steel AISI series 300
Fixed core	Stainless steel AISI series 400
Plunger	Stainless steel AISI series 400
Phase displacement ring (fig.1)	Copper - Cu 99,9%
Phase displacement ring (fig.2)	Gold plated copper
Spring	Stainless steel AISI series 300
Seal	V=FKM
Orifice	PPS

On request:

Connector	Pg 9 or Pg 11
Connector conformity	ISO 4400

FEATURES:

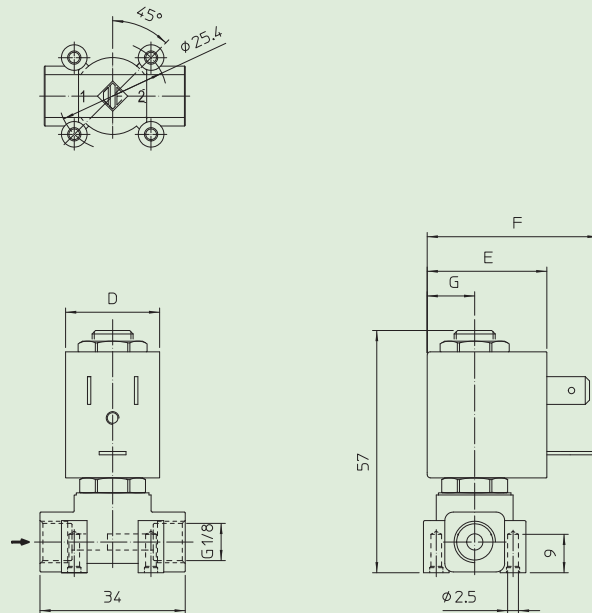
Electrical conformity	IEC 335
Protection degree	IP 65 EN 60529 (DIN 40050) with coil fitted by connector.

SPARE PARTS:

1. Coil:

See coils list

DIMENSIONS:



COIL TYPE	POWER ABSORPTION			DIMENSIONS			
	W =	Hold VA ~	Inrush VA ~	D mm	E mm	F mm	G mm
L	2,5	5	7	22	27,5	39,5	11
	5	10	15				



Solenoid valve 3/2 way N.C. Direct acting - NSF Certified

31AP1A1R15-13T0

÷

31AP1A1R30-13T0

PRESENTATION:

Direct acting S.V. for interception of fluids compatible with the construction materials.

Minimum operational pressure is not required.

The materials used and the tests carried out ensure maximum reliability and duration.

USE: Vending

PIPES: G 1/8

COIL: 8W - Ø 13
 BDA - BSA 155°C (class F)
 BDV 180°C (class H)

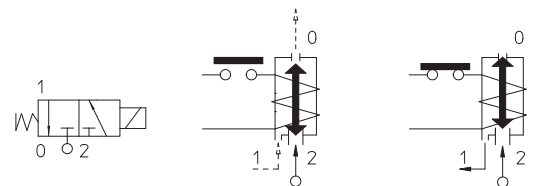
COIL HOUSING AND COIL FORMER MATERIAL ARE MADE BY 100% VIRGIN MATERIAL.

Ambient temperature:

See coils catalogue page for its compatibility.



Gaskets	Temperature		Medium
R=RUBY	- 40°C	+ 180°C	Water, air, steam



Max allowable pressure (PS) 16 bar - According to EN 60730-2-8 - Factor of safety for domestic applications equal to 5 times PS

Pipe ISO 228/1	Code	Max viscosity		Ø mm	Kv l/mn	Power watt	Pressure		
		cSt	°E				min bar	M.O.P.D	
								AC bar	DC bar
G 1/8	31AP1A1R15-13T0	12	~ 2	1,5*	1,1	8	0	15	15
	31AP1A1R20-13T0	37	~ 5	2*	1,8			10	10
	31AP1A1R25-13T0	53	~ 7	2,5*	2,5			6	6
	31AP1A1R30-13T0			3*	3,4			5	5

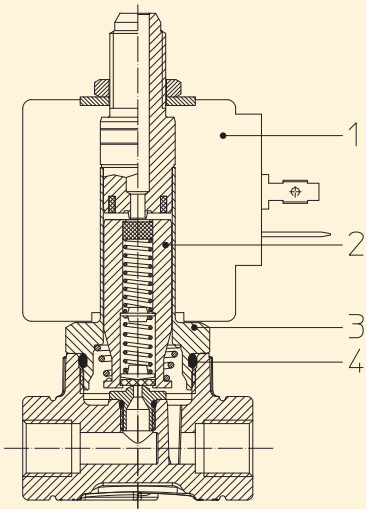
Max allowable pressure (PS) 25 bar - Safety factor for industrial application equal to 3 times PS

Pipe ISO 228/1	Code	Max viscosity		Ø mm	Kv l/mn	Power watt	Pressure		
		cSt	°E				min bar	M.O.P.D	
								AC bar	DC bar
G 1/8	31AP1A1R15-13T0	12	~ 2	1,5*	1,1	8	0	15	15
	31AP1A1R20-13T0	37	~ 5	2*	1,8			10	10
	31AP1A1R25-13T0	53	~ 7	2,5*	2,5			6	6
	31AP1A1R30-13T0			3*	3,4			5	5

Note

* 3rd way exhaust= Ø 2,5 mm | Max torque for fittings 1,5 Nm, coil nut assembly 2 Nm, armature tube 3 Nm | Evaluate tightening torque for tapered fittings | Use the seal fittings compatible with the material of the body | Available with coil Ex nA; | The use of rigid sealings usually implies a slight leakage, limited within 2 cc/min at the pressure of 1 bar | For application with steam, please consult our Technical Service | Available on request and with minimum quantities.

The "ODE" reserves the right to carry out technical and aesthetic modifications without prior notification.



MATERIALS:

Body	PPS
Armature tube	Stainless steel AISI series 300
Fixed core	Stainless steel AISI series 400
Plunger	Stainless steel AISI series 400
Phase displacement ring	Gold plated copper
Spring	Stainless steel AISI series 300
Seal	R=RUBY
Orifice: Inserted slot	Stainless steel series 300

On request:

Connector	Pg 9 or Pg 11
Connector conformity	ISO 4400

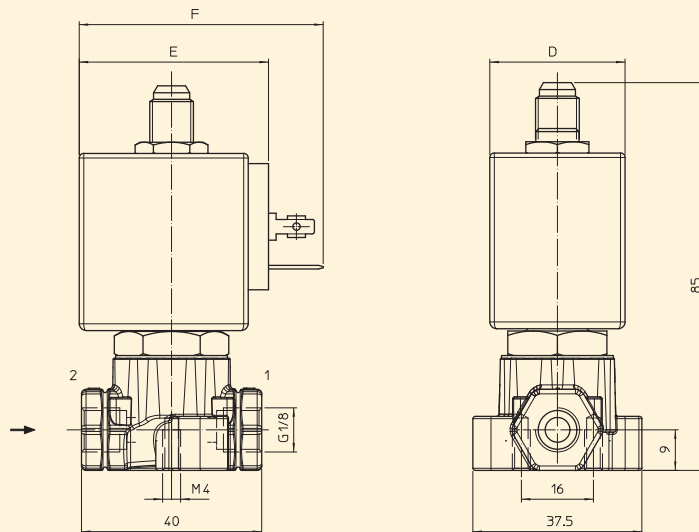
FEATURES:

Electrical conformity	IEC 335
Protection degree	IP 65 EN 60529 (DIN 40050) with coil fitted by connector.

SPARE PARTS:

- 1. Coil:**
See coils list
- 2. Complete plunger:**
Code R453258/RVX
- 3. Complete armature tube:**
Code R451830/D
- 4. Gasket O-Ring:**
Code R990000/VX

DIMENSIONS:



COIL TYPE	POWER ABSORPTION			DIMENSIONS		
	W ---	Hold VA ~	Inrush VA ~	D mm	E mm	F mm
B	8	14,5	25	30	42	54



Solenoid valve 3/2 way N.C. Direct acting - NSF Certified

31AP2A1R15-13T0

÷

31AP2A1R30-13T0

PRESENTATION:

Direct acting S.V. for interception of fluids compatible with the construction materials.

Minimum operational pressure is not required.

The materials used and the tests carried out ensure maximum reliability and duration.

USE: Vending

PIPES: G 1/4

COIL: 8W - Ø 13
 BDA - BSA 155°C (class F)
 BDV 180°C (class H)

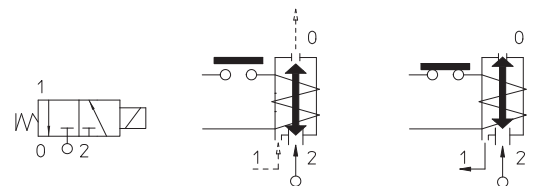
COIL HOUSING AND COIL FORMER MATERIAL ARE MADE BY 100% VIRGIN MATERIAL.

Ambient temperature:

See coils catalogue page for its compatibility.



Gaskets	Temperature		Medium
R=RUBY	- 40°C	+ 180°C	Water, air, steam



Max allowable pressure (PS) 16 bar - According to EN 60730-2-8 - Factor of safety for domestic applications equal to 5 times PS

Pipe ISO 228/1	Code	Max viscosity		Ø mm	Kv l/mn	Power watt	Pressure		
		cSt	°E				min bar	M.O.P.D	
								AC bar	DC bar
G 1/4	31AP2A1R15-13T0	12	~ 2	1,5*	1,1	8	0	15	15
	31AP2A1R20-13T0	37	~ 5	2*	1,8			10	10
	31AP2A1R25-13T0	53	~ 7	2,5*	2,5			6	6
	31AP2A1R30-13T0			3*	3,4			5	5

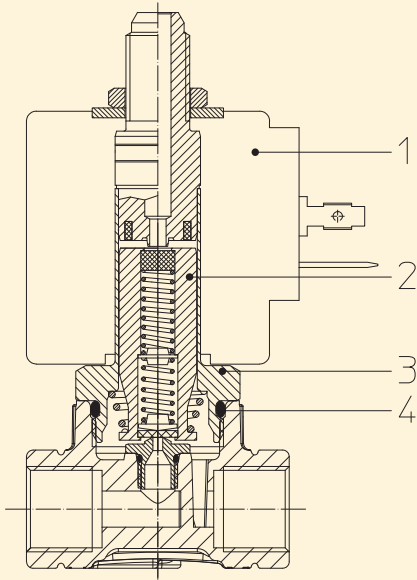
Max allowable pressure (PS) 25 bar - Safety factor for industrial application equal to 3 times PS

Pipe ISO 228/1	Code	Max viscosity		Ø mm	Kv l/mn	Power watt	Pressure		
		cSt	°E				min bar	M.O.P.D	
								AC bar	DC bar
G 1/4	31AP2A1R15-13T0	12	~ 2	1,5*	1,1	8	0	15	15
	31AP2A1R20-13T0	37	~ 5	2*	1,8			10	10
	31AP2A1R25-13T0	53	~ 7	2,5*	2,5			6	6
	31AP2A1R30-13T0			3*	3,4			5	5

Note

* 3rd way exhaust= Ø 2,5 mm | Max torque for fittings 1,5 Nm, coil nut assembly 2 Nm, armature tube 3 Nm | Evaluate tightening torque for tapered fittings | Use the seal fittings compatible with the material of the body | Available with coil Ex nA | The use of rigid sealings usually implies a slight leakage, limited within 2 cc/min at the pressure of 1 bar | For application with steam, please consult our Technical Service | Available on request and with minimum quantities.

The "ODE" reserves the right to carry out technical and aesthetic modifications without prior notification.



MATERIALS:

Body	PPS
Armature tube	Stainless steel AISI series 300
Fixed core	Stainless steel AISI series 400
Plunger	Stainless steel AISI series 400
Phase displacement ring	Gold plated copper
Spring	Stainless steel AISI series 300
Seal	Standard: V=FKM On request: B=NBR E=EPDM
Orifice: Insert slot	PPS

On request:

Connector	Pg 9 or Pg 11
Connector conformity	ISO 4400

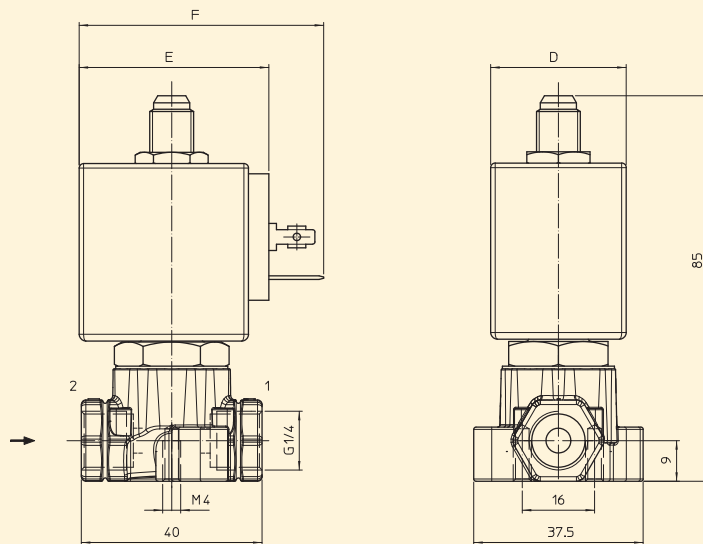
FEATURES:

Electrical conformity	IEC 335
Protection degree	IP 65 EN 60529 (DIN 40050) with coil fitted by connector.

SPARE PARTS:

- Coil:**
See coils list
- Complete plunger:**
Code R453258/RVX
- Complete armature tube:**
Code R451830/D
- Gasket O-Ring:**
Code R990000/VX

DIMENSIONS:



COIL TYPE	POWER ABSORPTION			DIMENSIONS		
	W ---	Hold VA ~	Inrush VA ~	D mm	E mm	F mm
B	8	14,5	25	30	42	54