

Bracket standard white Series

# B-W/B Series

Joiner standard white Series

# J-W Series



## Dimensions and applications

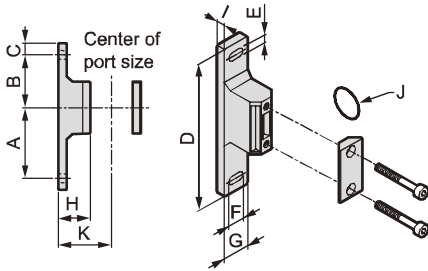
### T type bracket set

● Model no.: B110-W/B310-W/B410-W/B810-W

● Example



Note: Select B410-W when using the 3000-W Series and 4000-W Series combined.



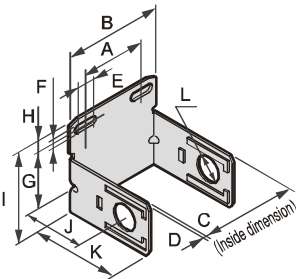
Model no.	Applicable model	A	B	C	D	E	F	G	H	I	J	K
B110-W	1000 Series	45	35	10	100	5.5	7.5	16	25	7.5	JASO-2013	40
B310-W	2000 Series	60	45	10	125	7	14	22	27	7	JISB2401-P21	45
	3000 Series											
B410-W	4000 Series	60	45	10	125	7	14	22	37	7	JISB2401-P21	55
B810-W	6000 Series	70	50	15	150	9	14	27	37	8	AS568-127	65
	8000 Series											

### C type bracket

● Model no.: B120/B220/B320/B420/B620/B820

● Attachment: BW

● Example



Model no.	Applicable model	A	B	C	D	E	F	G	H	I	J	K	L
B120	1000 Series	44	68	40	t2.0	10	6.5	35	8.5	61.5	40	60	ø19.5
B220	2000 Series	28	54	50	t2.3	10	7	33	8	63	45	69	17.3
B320	3000 Series	34.5	67	63	t2.3	16.5	7	45	9	75.5	45	69	ø21.7
B420	4000 Series	55	84	80	t2.3	14.0	7	45	9	75.5	55	69	ø21.7
B620	6000 Series	68	104	90	t2.3	16	9	54	11	97.5	60	97	ø35
B820	8000 Series	68	104	100	t2.3	16	9	50	11	93.5	65	102	ø35

### L type bracket

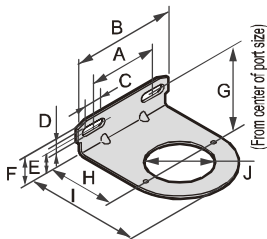
● Model no.: B130/B230/B330/B430/B630

● Attachment: B3W

The knob will be off if the mounting nut is loosened. L-type bracket, then fix with the mounting nut. Press the knob in manually after fixing.

Refer to page 14 for the details.

● Example



Model no.	Applicable model	A	B	C	D	E	F	G	H	I	J	Other
B130	1000 Series	44	68	10	6.5	16	24.5	45	40	59	ø26.5	
B230	2000 Series	28	54	10	7	18	26	52	45	69	38	
B330	3000 Series	34.5	67	16.5	7	17.5	26	58 (63.5)	45	76	ø40	Dimensions in ( ) are for W3000/3100
B430	4000 Series	55	84	14	7	17.5	26	58	55	94	ø47	
B430	6000 Series	55	84	14	7	17.5	26	58	55	94	ø47	

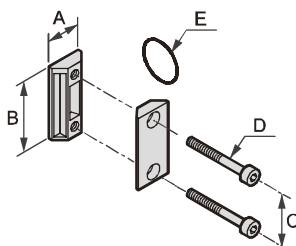
### Joiner set

● Model no.: C1000-J100-W

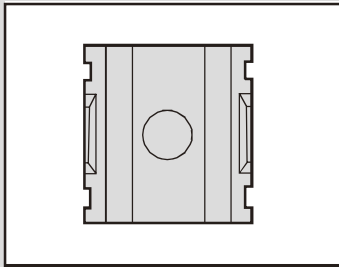
C4000-J400-W

C8000-J800-W

● Example



Model no.	Applicable model	A	B	C	D	E
C1000-J100-W	1000 Series	10	36	26	M3.5	JASO-2013
C4000-J400-W	2000 Series	21	44	32	M5	JIS B2401-P21
	3000 Series					
	4000 Series					
C8000-J800-W	6000 Series	26	65	50	M6	AS568-127
	8000 Series					



Distributor standard white Series

# D101/D401/D801/D300-W Series

Applicable for pipe branching.

Port size: 1/8 to 1

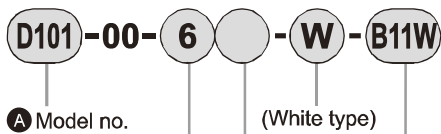
JIS symbol



## Specifications

Descriptions	D101-00-W	D401-00-W	D801-00-W	D300-W
Working fluid	Compressed air			
Max. working pressure MPa	1.0			
Withstanding pressure MPa	1.5			
No. of branch port	1			4
Port size Rc, NPT, G	1/8, 1/4	1/4, 3/8, 1/2	3/4, 1	1/4, 3/8
Working temperature °C	5 to 60			
Product weight kg	0.045	0.13	0.35	0.26

## How to order

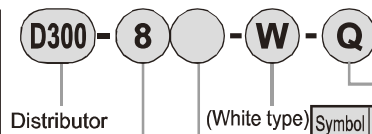


Symbol	Descriptions
<b>A Model no.</b>	
D101	1000 Series
D401	2000, 3000, 4000 Series
D801	6000, 8000 Series

B Port size				
	D101	D401	D801	
6	1/8	●		
8	1/4	●	●	
10	3/8		●	
15	1/2		●	
20	3/4			●
25	1			●

C Port thread type	
Blank	Rc thread
N	NPT thread
G	G thread

D T type bracket				
Blank	None	●	●	●
B11W	1000 Series	●		
B31W	2000 3000 Series		●	
B41W	4000 Series		●	
B81W	6000 8000 Series			●



Symbol	Descriptions
<b>A Port size</b>	
8	1/4
10	3/8

B Port thread type	
Blank	Rc thread
N	NPT thread
G	G thread

C Option	
Blank	None
Q	Two each of the following are enclosed: 1/4 blank plug, 3/8 blank plug

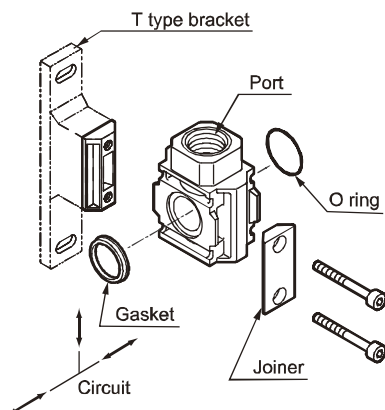
### ⚠ Note on model no. selection **D** T type bracket

- Note 1: The joiner set (joiner, bolt, O ring) and one gasket are enclosed as a standard.
- Note 2: Consult with CKD for 2 way branch.
- Note 3: D401-W can be connected to both 3000-W and 4000-W Series.

### ⚠ Note on model no. selection

- Note 1: When using with C3000-W, C4000-W, a joiner set C4000-J400-W, or T type bracket set B310-W or B410-W is required to connect.
- Note 2: Joiner set C4000-J400-W or T type bracket set should be ordered separately (Refer to 148 page)

## Assembly method (D101-00-W, D401-00-W, D801-00-W)



Note 1: When installing at the primary side, insert an O ring, while installing at the secondary side, insert a gasket.

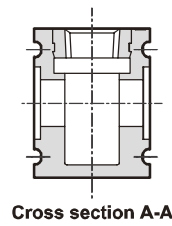
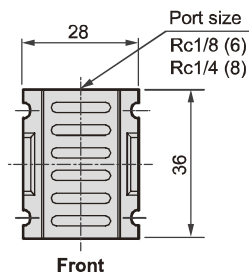
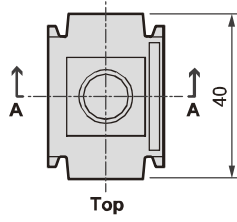
Note 2: When inserting O ring and gasket to assemble, O ring and gasket must not be folded.

## Applications (D101-00-W, D401-00-W or D801-00-W)

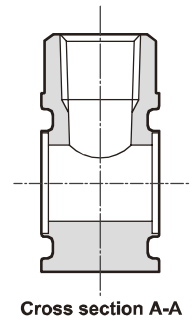
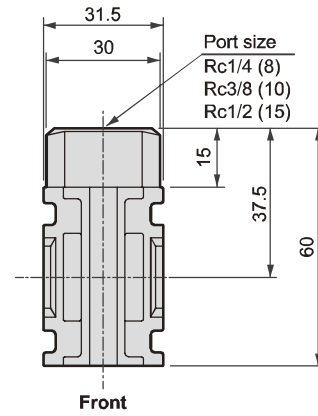
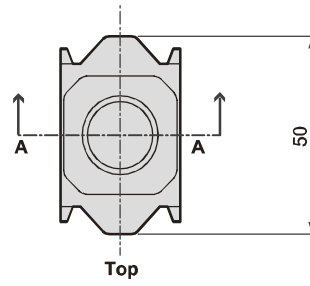


### Dimensions

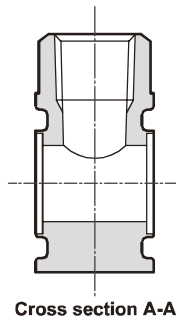
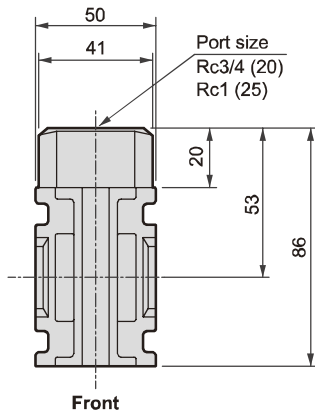
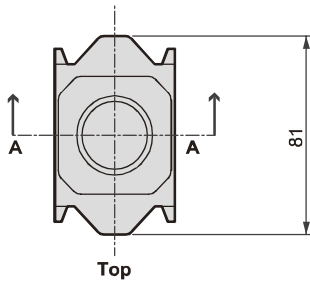
● D101-00-W



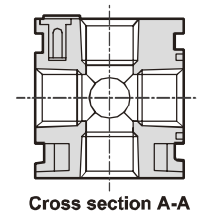
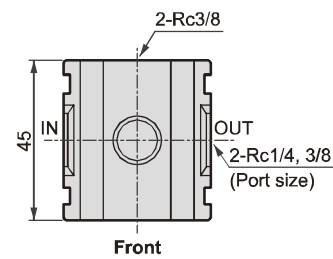
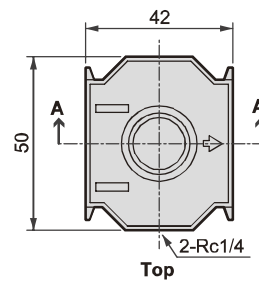
● D401-00-W

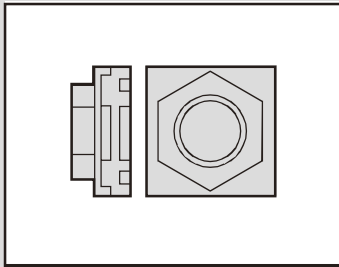


● D801-00-W



● D300-W





Piping adapter standard white Series

# A100/A400/A800-W Series

Port size: 1/8 to 1

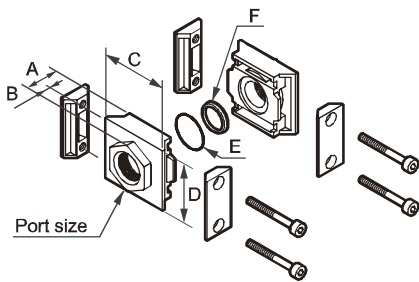


## Dimensions and applications

### Piping adapter set

- Model no.: A100-6/8/10-W  
A400-8/10/15/20-W  
A800-20/25/32-W

● Example



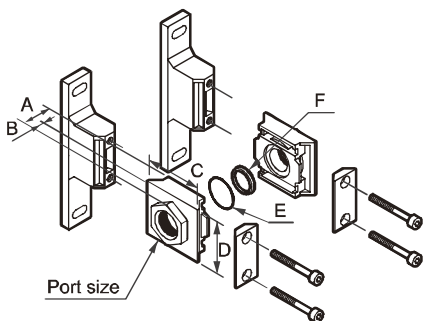
Model no.	Port size	Applicable model	A	B	C	D	E (O ring)	F (gasket)	Other
A100-6*-W	1/8	1000 Series	21.5	13.5	40	36	JASO-2013 1 pc.	1 pc.	-
A100-8*-W	1/4								
A100-10*-W	3/8								
A400-8*-W	1/4	2000 3000 Series Series	20 (25) {34}	6 (11) {20}	50	45	JISB2401 P21 1 pc.	1 pc.	Numbers in ( ) is 3/4 Numbers in { } is when 1
A400-10*-W	3/8								
A400-15*-W	1/2								
A400-20*-W	3/4								
A400-25*-W	1								
A800-20*-W	3/4								
A800-25*-W	1								
A800-32*-W	1 1/4								

\* Blank: Rc thread/N: NPT thread/G: G thread

### Piping adaptor set

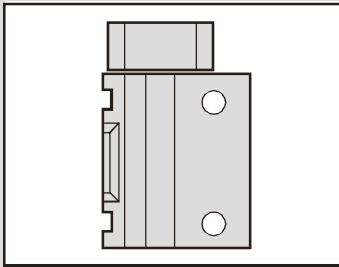
- Model no.: A100-6/8/10-W-B-11W  
A400-8/10/15-W-B31W  
A400-8/10/15/20-W-B41W  
A800-20/25/32-W-B81W  
(with T type bracket set)

● Example



Model no.	Port size	Applicable model	A	B	C	D	E (O ring)	F (gasket)	Other								
A100-6*-W-B11W	1/8	1000 Series	21.5	13.5	40	36	JASO-2013 1 pc.	1 pc.	-								
A100-8*-W-B11W	1/4																
A100-10*-W-B11W	3/8																
A400-8*-W-B31W	1/4	2000 3000 Series	20 (25) {34}	6 (11) {20}	50	45	JISB2401 P21 1 pc.	1 pc.	Numbers in ( ) is 3/4 Numbers in { } is when 1								
A400-10*-W-B31W	3/8																
A400-15*-W-B31W	1/2																
A400-8*-W-B41W	1/4									4000 Series	20 (25) {34}	6 (11) {20}	50	45	JISB2401 P21 1 pc.	1 pc.	Numbers in ( ) is 3/4 Numbers in { } is when 1
A400-10*-W-B41W	3/8																
A400-15*-W-B41W	1/2																
A400-20*-W-B41W	3/4																
A400-25*-W-B41W	1	6000 8000 Series	35 (38)	15 (18)	81	66	AS568-127 1 pc.	1 pc.	Numbers in ( ) is 1 1/4								
A800-20*-W-B81W	3/4																
A800-25*-W-B81W	1																
A800-32*-W-B81W	1 1/4																

\* Blank: Rc thread/N: NPT thread/G: G thread



L type piping adapter standard white Series

# A101/A401/A801-W Series

Port size: 1/8 to 1

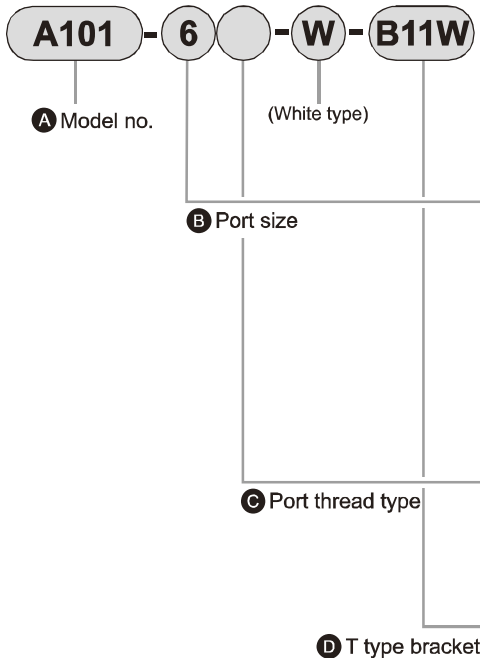


## Specifications

Descriptions	A101-W	A401-W Note 1	A801-W
Working fluid	Compressed air		
Max. working pressure MPa	1.0		
Withstanding pressure MPa	1.5		
Port size Rc, NPT, G	1/8, 1/4	1/4, 3/8, 1/2	3/4, 1
Working temperature °C	5 to 60		
Product weight kg	0.045	0.13	0.4

Note 1: A401-W can be connected to both 3000-W and 4000-W Series.

## How to order



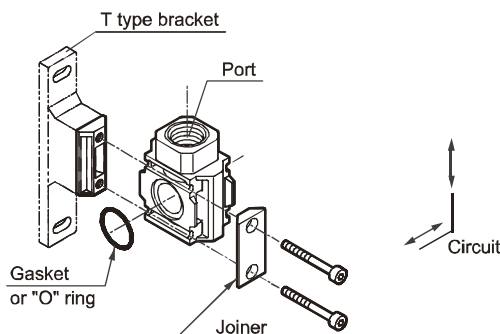
Symbol	Descriptions			
<b>A Model no.</b>				
A101	L type piping adapter			
A401	L type piping adapter			
A801	L type piping adapter			
<b>B Port size</b>				
		A101	A401	A801
6	1/8	●		
8	1/4	●	●	
10	3/8		●	
15	1/2		●	
20	3/4			●
25	1			●
<b>C Port thread type</b>				
Blank	Rc thread			
N	NPT thread			
G	G thread			
<b>D T type bracket Note 1</b>				
Blank	None	●	●	●
B11W	1000 Series	●		
B31W	2000 Series 3000 Series		●	
B41W	4000 Series		●	
B81W	6000 Series 8000 Series			●

- Applicable model
- A101-6/8-W  
..... 1000-W Series
  - A401-8/10/15-W  
..... 2000/3000/4000-W Series
  - A801-20/25-W  
..... 6000/8000-W Series

## ⚠ Note on model no. selection

Note 1: The joiner set (joiner, bolt, O ring) and one gasket are enclosed as a standard.

## L type piping adapter



● Example



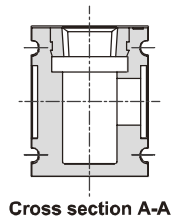
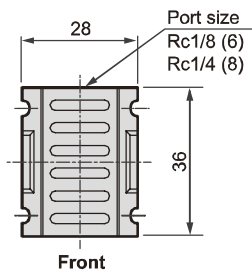
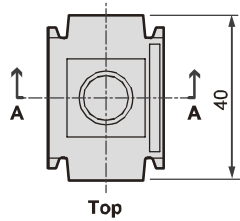
Note: Insert the O ring when mounting on the primary side for the air flow, and insert the gasket when mounting on the secondary side.

Note: Refer to the following page for the dimensions.

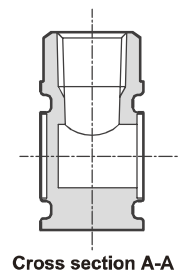
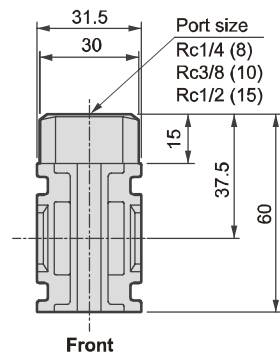
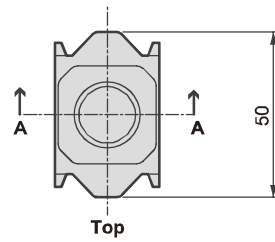
# Piping adaptor

Dimensions 

● A101-W



● A401-W



● A801-W

